



# BRAKE PAD PRIME CERAMIC P15004N

The P15004N NAO brake pad is synonymous with reliability

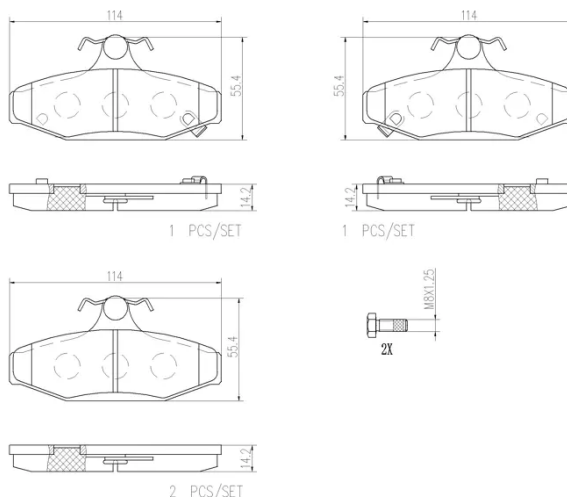
Brembo NAO brake pads stand out for their ultimate braking comfort, reduced friction wear and low dust mission, which makes for cleaner rims and reduced maintenance requirements. The advanced friction material in keeping with the strictest environmental standards is the main distinguishing feature of NAO compounds.

- ✓ OE-equivalent
- ✓ Brembo quality
- ✓ Safety
- ✓ Comfort
- ✓ Durability
- ✓ Dust reduction
- ✓ With accessories



## Technical specifications

|                                   |  |   |
|-----------------------------------|--|---|
| EAN code<br><b>8020584086223</b>  | Axle<br><b>Rear</b>                    | Thickness<br><b>14 mm</b>   |
| Width<br><b>114 mm</b>            | Height<br><b>55 mm</b>                 | Braking system<br><b>Lucas</b>  |
| Wear indicator<br><b>Acoustic</b> | WVA number<br><b>23242,23243,23244</b> | Accessories<br><b>With accessories</b><br><b>With anti-squeal shim</b><br><b>With brake caliper bolts</b> |



**COMPATIBLE VEHICLES**

## COMPATIBLE OE PART NUMBERS

|          |           |
|----------|-----------|
| 10132836 | CHEVROLET |
|----------|-----------|

|            |        |
|------------|--------|
| 48413050A0 | DAEWOO |
|------------|--------|

|          |         |
|----------|---------|
| 18021875 | PONTIAC |
|----------|---------|

|            |           |
|------------|-----------|
| 4841305000 | SSANGYONG |
|------------|-----------|

|            |           |
|------------|-----------|
| 48413050A0 | SSANGYONG |
|------------|-----------|