



BRAKE PAD PRIME CERAMIC P24048N

The P24048N NAO brake pad is synonymous with reliability

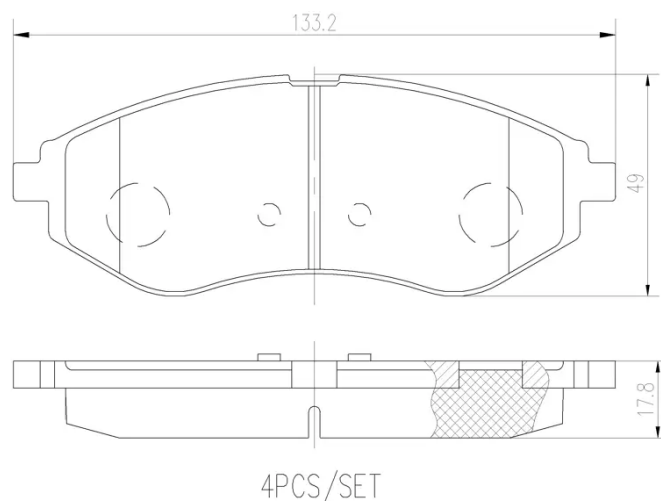
Brembo NAO brake pads stand out for their ultimate braking comfort, reduced friction wear and low dust mission, which makes for cleaner rims and reduced maintenance requirements. The advanced friction material in keeping with the strictest environmental standards is the main distinguishing feature of NAO compounds.

- ✓ OE-equivalent
- ✓ Brembo quality
- ✓ Safety
- ✓ Comfort
- ✓ Durability
- ✓ Dust reduction
- ✓ With accessories



Technical specifications

EAN code	Axle	Thickness
8020584096994	Front	18 mm
Width	Height	Braking system
133 mm	49 mm	Akebono
Wear indicator	WVA number	Accessories
Without	23974	With anti-squeal shim



COMPATIBLE VEHICLES

COMPATIBLE OE PART NUMBERS

96534653	CHEVROLET
93723736	CHEVROLET (SGM)
96534653	DAEWOO
PW892497	DAEWOO
PC351112	PROTON
PW891729	PROTON