



BRAKE PAD PRIME CERAMIC P24066N

The P24066N NAO brake pad is synonymous with reliability

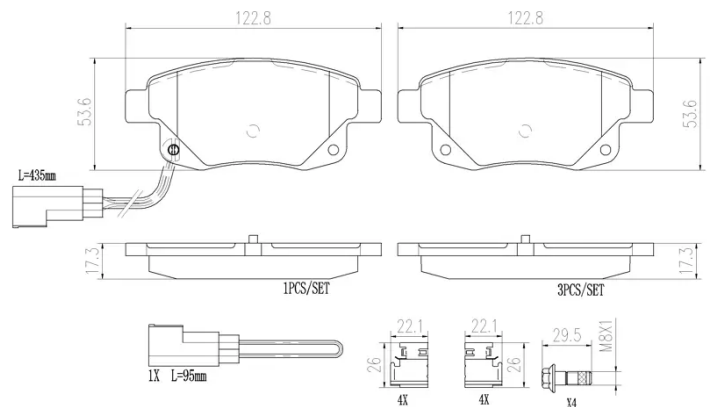
Brembo NAO brake pads stand out for their ultimate braking comfort, reduced friction wear and low dust mission, which makes for cleaner rims and reduced maintenance requirements. The advanced friction material in keeping with the strictest environmental standards is the main distinguishing feature of NAO compounds.

- ✓ OE-equivalent
- ✓ Brembo quality
- ✓ Safety
- ✓ Comfort
- ✓ Durability
- ✓ Dust reduction
- ✓ With accessories



Technical specifications

| | | |
|-----------------------------------|----------------------------------|---|
| EAN code 8020584088456 | Axle Rear | Thickness 17 mm |
| Width 123 mm | Height 54 mm | Braking system Bosch |
| Wear indicator Electric | WVA number 24486,25918 | Accessories With accessories With anti-squeal shim With brake caliper bolts |



COMPATIBLE VEHICLES

COMPATIBLE OE PART NUMBERS

1143430600 BYD

1159416000 BYD

56DM3502700 BYD

1371454 FORD

1433958 FORD

1530602 FORD

1554524 FORD

1560026 FORD

1819638 FORD

1824348 FORD

1852717 FORD

6C112M008AB FORD

6C112M008AC FORD

6C112M008AD FORD

6C112M008AE FORD

6C112M008AF FORD

ME6C1J2M008AA FORD

ME6C1J2M008AB FORD

ME6C1J2M008AC FORD

6C1Z2200A FORD (JMC)

6C1Z2200B FORD (JMC)
