



# BRAKE PAD PRIME CERAMIC P50126N

The P50126N NAO brake pad is synonymous with reliability

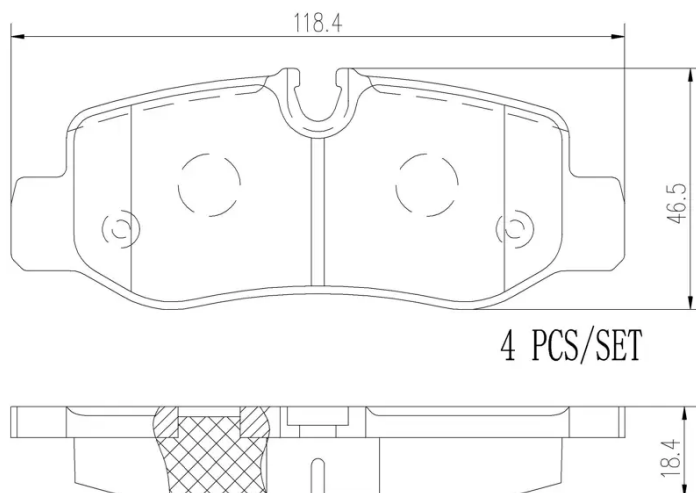
Brembo NAO brake pads stand out for their ultimate braking comfort, reduced friction wear and low dust mission, which makes for cleaner rims and reduced maintenance requirements. The advanced friction material in keeping with the strictest environmental standards is the main distinguishing feature of NAO compounds.

- ✓ OE-equivalent
- ✓ Brembo quality
- ✓ Safety
- ✓ Comfort
- ✓ Durability
- ✓ Dust reduction
- ✓ With accessories



## Technical specifications

EAN code	Axle	Thickness
<b>8020584089088</b>	<b>Rear</b>	<b>18 mm</b>
Width	Height	Braking system
<b>118 mm</b>	<b>47 mm</b>	<b>Brembo</b>
Wear indicator	WVA number	Accessories
<b>Prepared for wear indicator</b>	<b>22101</b>	<b>With anti-squeal shim</b>



COMPATIBLE VEHICLES

## COMPATIBLE OE PART NUMBERS

4474200120	MERCEDES-BENZ
4474200320	MERCEDES-BENZ
A4474200120	MERCEDES-BENZ
A447420012028	MERCEDES-BENZ
A4474200320	MERCEDES-BENZ
4474206700	MERCEDES-BENZ (FJDA)
A4474206700	MERCEDES-BENZ (FJDA)