

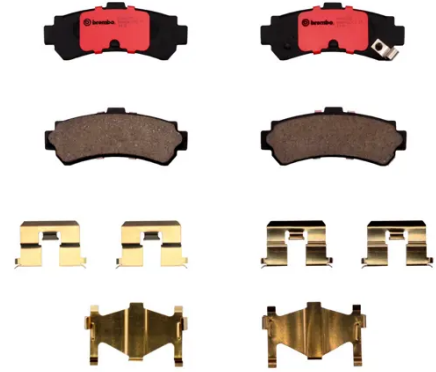


BRAKE PAD PRIME CERAMIC P56035N

The P56035N NAO brake pad is synonymous with reliability

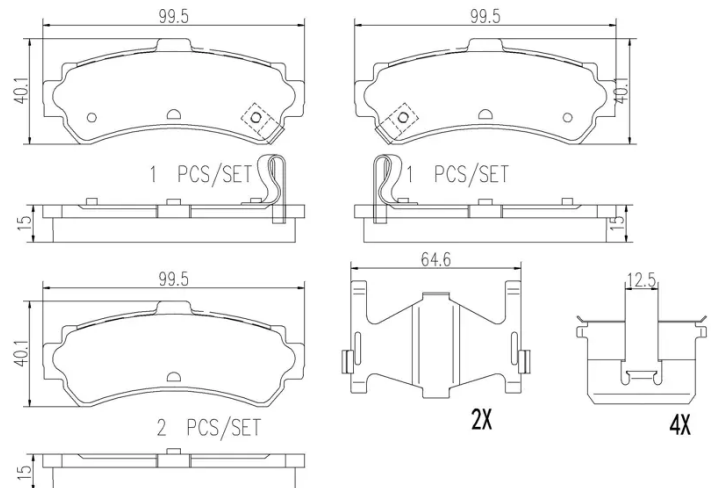
Brembo NAO brake pads stand out for their ultimate braking comfort, reduced friction wear and low dust mission, which makes for cleaner rims and reduced maintenance requirements. The advanced friction material in keeping with the strictest environmental standards is the main distinguishing feature of NAO compounds.

- ✓ OE-equivalent
- ✓ Brembo quality
- ✓ Safety
- ✓ Comfort
- ✓ Durability
- ✓ Dust reduction
- ✓ With accessories



Technical specifications

EAN code 8020584098790	Axle Rear	Thickness 15 mm
Width 100 mm	Height 40 mm	Braking system Akebono
Wear indicator Acoustic	WVA number 23023,23024,23025	Accessories With anti-squeal shim



COMPATIBLE VEHICLES

COMPATIBLE OE PART NUMBERS

440600M890	NISSAN
440660M800	NISSAN
AY060NS014	NISSAN