



# BRAKE PAD PRIME CERAMIC P61058N

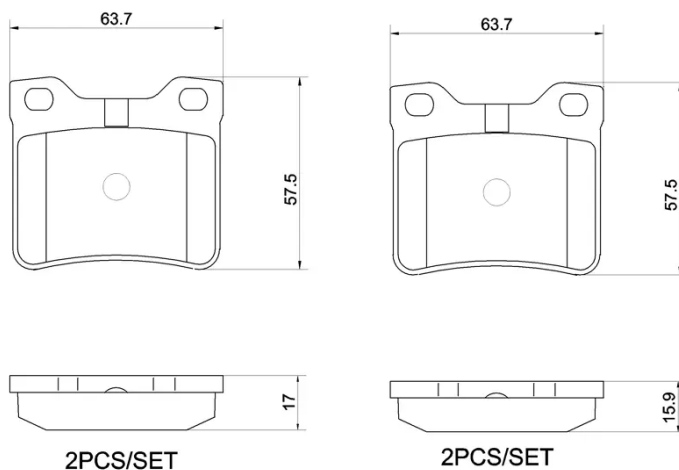
The P61058N NAO brake pad is synonymous with reliability

Brembo NAO brake pads stand out for their ultimate braking comfort, reduced friction wear and low dust mission, which makes for cleaner rims and reduced maintenance requirements. The advanced friction material in keeping with the strictest environmental standards is the main distinguishing feature of NAO compounds.

- ✓ OE-equivalent
- ✓ Brembo quality
- ✓ Safety
- ✓ Comfort
- ✓ Durability
- ✓ Dust reduction
- ✓ With accessories

## Technical specifications

EAN code <b>8020584125519</b>	Axle <b>Rear</b>	Thickness <b>17 mm</b>
Width <b>64 mm</b>	Height <b>58 mm</b>	Braking system <b>Teves</b>
Wear indicator <b>Without</b>	WVA number <b>21278,21279</b>	Accessories <b>With anti-squeal shim</b>



COMPATIBLE VEHICLES

## COMPATIBLE OE PART NUMBERS

1611456880	CITROËN
------------	---------

425130	CITROËN
--------	---------

425208	CITROËN
--------	---------

425266	CITROËN
--------	---------

E172198	CITROËN
---------	---------

E172280	CITROËN
---------	---------

1611456880	PEUGEOT
------------	---------

1617253280	PEUGEOT
------------	---------

425130	PEUGEOT
--------	---------

425208	PEUGEOT
--------	---------

425266	PEUGEOT
--------	---------

E172198	PEUGEOT
---------	---------

E172280	PEUGEOT
---------	---------