



BRAKE PAD PRIME CERAMIC P61103N

The P61103N NAO brake pad is synonymous with reliability

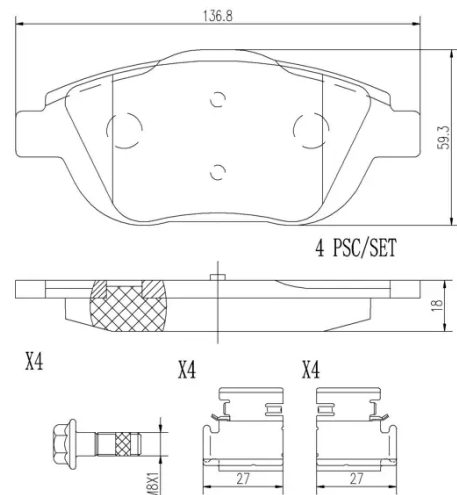
Brembo NAO brake pads stand out for their ultimate braking comfort, reduced friction wear and low dust mission, which makes for cleaner rims and reduced maintenance requirements. The advanced friction material in keeping with the strictest environmental standards is the main distinguishing feature of NAO compounds.

- ✓ OE-equivalent
- ✓ Brembo quality
- ✓ Safety
- ✓ Comfort
- ✓ Durability
- ✓ Dust reduction
- ✓ With accessories



Technical specifications

EAN code 8020584089507	Axle Front	Thickness 18 mm
Width 137 mm	Height 59 mm	Braking system Bosch
Wear indicator Without	WVA number 24883	Accessories With accessories With anti-squeal shim With brake caliper bolts



COMPATIBLE VEHICLES

COMPATIBLE OE PART NUMBERS

1607083180	CITROËN
161140580	CITROËN
1611837880	CITROËN
1613192580	CITROËN
1617275680	CITROËN
1617293780	CITROËN
1629038380	CITROËN
1684909680	CITROËN
425431	CITROËN
1607083180	DS
1613192580	DS
1617275680	DS
425431	DS
1647863580	OPEL
3649095	OPEL
1607083180	PEUGEOT
161140580	PEUGEOT
1611837880	PEUGEOT
1613192580	PEUGEOT
1617275680	PEUGEOT
1629038380	PEUGEOT
425431	PEUGEOT
9862568880	PEUGEOT
9866880680	PEUGEOT
3649095	VAUXHALL