



BRAKE PAD PRIME CERAMIC P61106N

The P61106N NAO brake pad is
synonymous with reliability

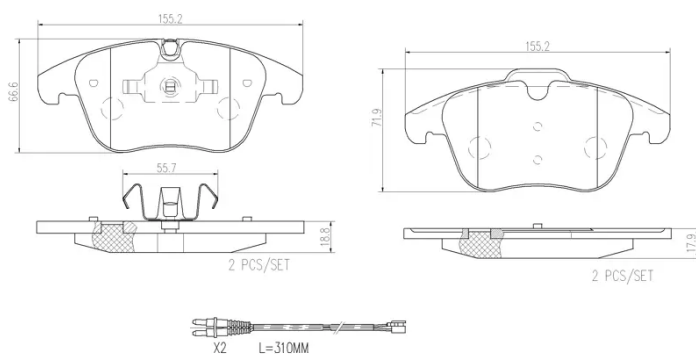
Brembo NAO brake pads stand out for their ultimate braking comfort, reduced friction wear and low dust mission, which makes for cleaner rims and reduced maintenance requirements. The advanced friction material in keeping with the strictest environmental standards is the main distinguishing feature of NAO compounds.

- ✓ OE-equivalent
- ✓ Brembo quality
- ✓ Safety
- ✓ Comfort
- ✓ Durability
- ✓ Dust reduction
- ✓ With accessories



Technical specifications

EAN code 8020584089514	Axle Front	Thickness 18 mm
Width 155 mm	Height 67 mm	Braking system Teves
Wear indicator Electric	WVA number 24084,24332	Accessories With accessories With anti-squeal shim With piston clip



COMPATIBLE VEHICLES

COMPATIBLE OE PART NUMBERS

1609253180	CITROËN
1610103880	CITROËN
1617283280	CITROËN
1619790280	CITROËN
1647862980	CITROËN
425403	CITROËN
425424	CITROËN
4254A7	CITROËN
E172294	CITROËN
425438	CITROËN (DF-PSA)
1609253180	PEUGEOT
1610103780	PEUGEOT
1619790280	PEUGEOT
1647863280	PEUGEOT
1647863380	PEUGEOT
425403	PEUGEOT
425424	PEUGEOT
4254A7	PEUGEOT
E172294	PEUGEOT
425438	PEUGEOT (DF-PSA)