



BRAKE PAD PRIME CERAMIC P83103N

The P83103N NAO brake pad is
synonymous with reliability

Brembo NAO brake pads stand out for their ultimate braking comfort, reduced friction wear and low dust mission, which makes for cleaner rims and reduced maintenance requirements. The advanced friction material in keeping with the strictest environmental standards is the main distinguishing feature of NAO compounds.

- ✓ OE-equivalent
- ✓ Brembo quality
- ✓ Safety
- ✓ Comfort
- ✓ Durability
- ✓ Dust reduction
- ✓ With accessories



Technical specifications

EAN code
8020584085721

Axle
Front

Thickness
17 mm

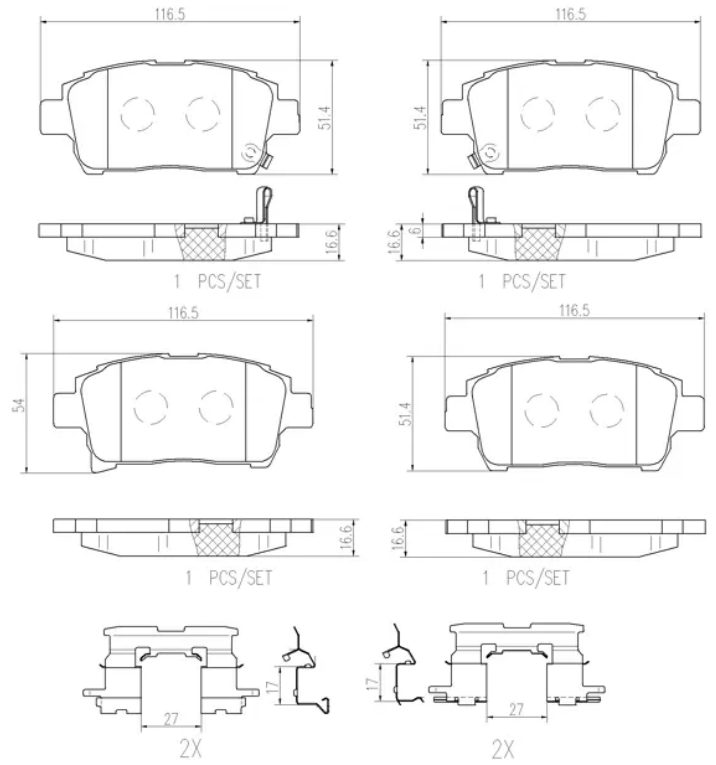
Width
117 mm

Height
52 mm

Braking system
Akebono

Wear indicator
Acoustic

WVA number
23904,23905,23906,23907
Accessories
With anti-squeal shim



COMPATIBLE VEHICLES