



BRAKE PAD

P 15 009

The P 15 009 brake pad is synonymous with reliability

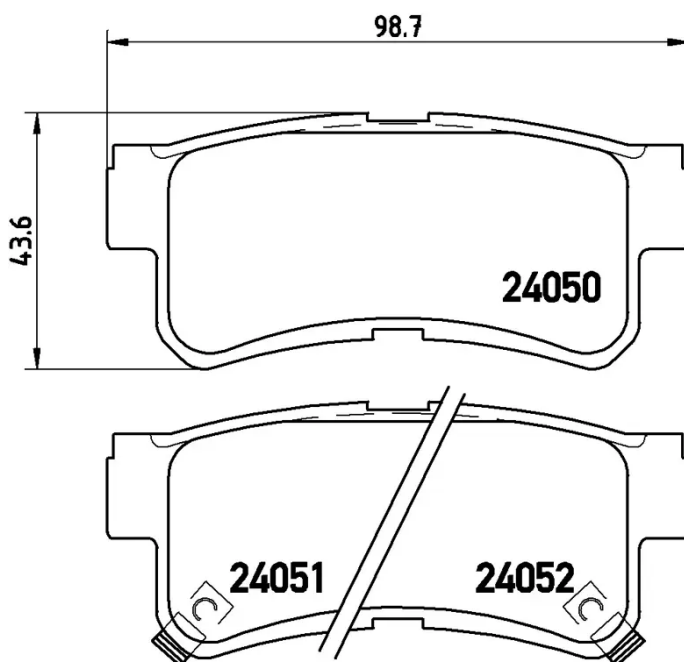
The Brembo brake pad guarantees ultimate safety when braking thanks to the use of more than 100 different compounds, designed according to the type of vehicle and use. Stopping distances reduced to a minimum, maximum driving comfort and silent operation are the most important features of Brembo materials. Brembo brake pads are supplied together with an extensive range of accessories and assembly kits for professional-standard installation.

- ✓ OE-equivalent
- ✓ Brembo quality
- ✓ ECE-R90 certificate
- ✓ Safety
- ✓ Performance
- ✓ Comfort



Technical specifications

EAN code	Axle	Thickness
8020584060179	Rear	15 mm
Width	Height	Braking system
99 mm	44 mm	Akebono
Wear indicator	WVA number	Accessories
Acoustic	24050,24051,24052	With anti-squeal shim



COMPATIBLE VEHICLES

COMPATIBLE OE PART NUMBERS

4841305100

DAEWOO

4841305101

SSANGYONG

4841305102

SSANGYONG
