



# BRAKE PAD

## P 24 002

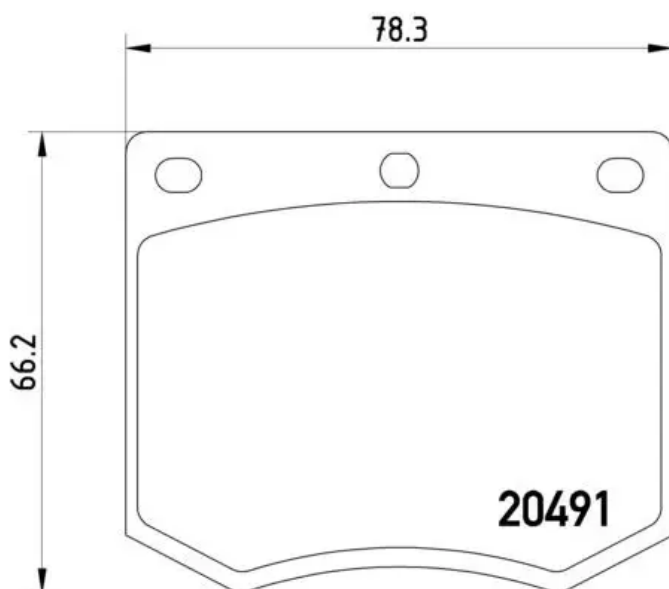
The P 24 002 brake pad is synonymous with reliability

The Brembo brake pad guarantees ultimate safety when braking thanks to the use of more than 100 different compounds, designed according to the type of vehicle and use. Stopping distances reduced to a minimum, maximum driving comfort and silent operation are the most important features of Brembo materials. Brembo brake pads are supplied together with an extensive range of accessories and assembly kits for professional-standard installation.

- ✓ OE-equivalent
- ✓ Brembo quality
- ✓ ECE-R90 certificate
- ✓ Safety
- ✓ Performance
- ✓ Comfort

### Technical specifications

|                |            |                       |
|----------------|------------|-----------------------|
| EAN code       | Axle       | Thickness             |
| 8020584051740  | Front      | 15 mm                 |
| Width          | Height     | Braking system        |
| 78 mm          | 66 mm      | TRW-Lucas             |
| Wear indicator | WVA number | Accessories           |
| Without        | 20491      | With anti-squeal shim |



COMPATIBLE VEHICLES

## COMPATIBLE OE PART NUMBERS

|             |              |
|-------------|--------------|
| GBP90216    | AC           |
| GBP90216    | ASTON MARTIN |
| 1451625     | FORD         |
| 1451626     | FORD         |
| 1487416     | FORD         |
| 1489488     | FORD         |
| 1489574     | FORD         |
| 1502164     | FORD         |
| 1502370     | FORD         |
| 1540639     | FORD         |
| 1540738     | FORD         |
| 1540739     | FORD         |
| 1540740     | FORD         |
| 1540858     | FORD         |
| 1540859     | FORD         |
| 1541678     | FORD         |
| 1541680     | FORD         |
| 1554286     | FORD         |
| 1554287     | FORD         |
| 1554348     | FORD         |
| 1554550     | FORD         |
| 1554552     | FORD         |
| 1565491     | FORD         |
| 1571247     | FORD         |
| 1572069     | FORD         |
| 1576331     | FORD         |
| 1576823     | FORD         |
| 1576827     | FORD         |
| 1576829     | FORD         |
| 1576830     | FORD         |
| 1576833     | FORD         |
| 1591094     | FORD         |
| 1591095     | FORD         |
| 1591096     | FORD         |
| 1591098     | FORD         |
| 1591099     | FORD         |
| 1595996     | FORD         |
| 1604501     | FORD         |
| 1604502     | FORD         |
| 1610143     | FORD         |
| 1610637     | FORD         |
| 1613313     | FORD         |
| 4H229A095AB | FORD         |
| 5012130     | FORD         |
| 5015924     | FORD         |

|              |      |
|--------------|------|
| 5015927      | FORD |
| 5018108      | FORD |
| 5018902      | FORD |
| 5018903      | FORD |
| 5026169      | FORD |
| 6080699      | FORD |
| 6080700      | FORD |
| 6080702      | FORD |
| 6089699      | FORD |
| 6099234      | FORD |
| 6099237      | FORD |
| 6099238      | FORD |
| 6099239      | FORD |
| 6099240      | FORD |
| 6099241      | FORD |
| 6099242      | FORD |
| 6099243      | FORD |
| 6099244      | FORD |
| 6107088      | FORD |
| 6107089      | FORD |
| 6127521      | FORD |
| 70EB2K021AB  | FORD |
| 73EB2K021DA  | FORD |
| 73EB2K021HA  | FORD |
| 73GB2K021GA  | FORD |
| 77BB2K021CA  | FORD |
| 77EB2K021BA  | FORD |
| 77EB2K021DA  | FORD |
| 77EB2K021EA  | FORD |
| 77EB2K021JA  | FORD |
| 79BB2K021AA  | FORD |
| 79BB2K021AB  | FORD |
| 79BB2K021BB  | FORD |
| 79BB2K021CA  | FORD |
| 79BB2K021CA1 | FORD |
| 79BB2K021CA2 | FORD |
| 79BB2K021CB  | FORD |
| 79BB2K021CB1 | FORD |
| 79BB2K021CB2 | FORD |
| 79BB2K021DA  | FORD |
| 79BB2K021DB  | FORD |
| 79BB2K021EB  | FORD |
| 79BB2K021FA  | FORD |
| 79BB2K021FA1 | FORD |
| 79BB2K021FA2 | FORD |
| 79BB2K021FB  | FORD |
| 79BB2K021FB1 | FORD |
| 79BB2K021FB2 | FORD |

79GB2K021AA FORD

---

79GB2K021AB FORD

---

79GB2K021BA FORD

---

79GB2K021BB FORD

---

82GB2K021GA FORD

---

82GB2K021HA FORD

---

82GB2K021HC FORD

---