



BRAKE PAD

P 50 075

The P 50 075 brake pad is synonymous with reliability

The Brembo brake pad guarantees ultimate safety when braking thanks to the use of more than 100 different compounds, designed according to the type of vehicle and use. Stopping distances reduced to a minimum, maximum driving comfort and silent operation are the most important features of Brembo materials. Brembo brake pads are supplied together with an extensive range of accessories and assembly kits for professional-standard installation.

- ✓ OE-equivalent
- ✓ Brembo quality
- ✓ ECE-R90 certificate
- ✓ Safety
- ✓ Performance
- ✓ Comfort
- ✓ With accessories



Technical specifications

EAN code
8020584061145

Axle
Front

Thickness
19 mm

Width
155 mm

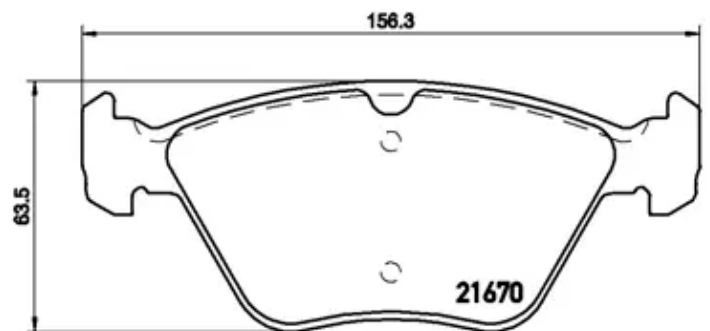
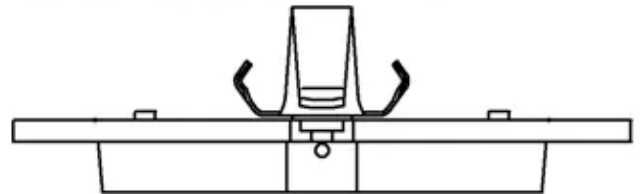
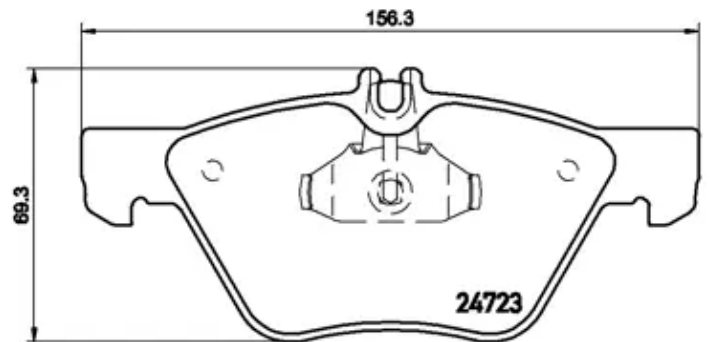
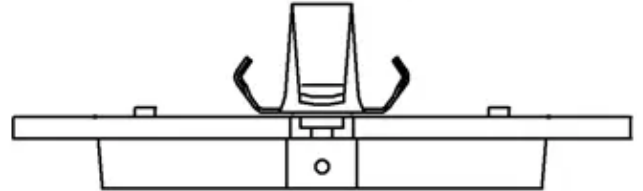
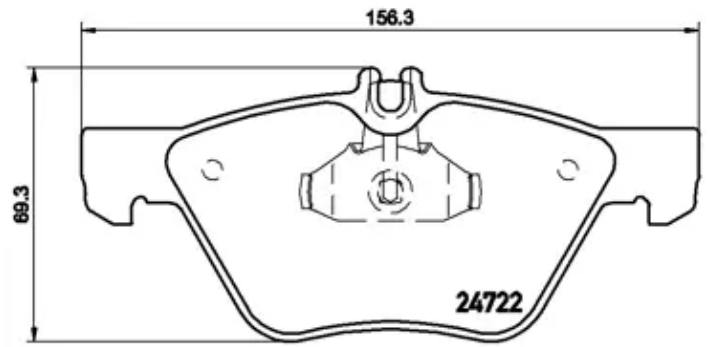
Height
64 mm

Braking system
Teves

Wear indicator
Prepared for wear
indicator

WVA number
21670,24722,24723

Accessories
With accessories
With anti-squeal
shim
With piston clip



COMPATIBLE VEHICLES

COMPATIBLE OE PART NUMBERS

0044200720 MERCEDES-BENZ

A0044200720 MERCEDES-BENZ