



# BRAKE PAD

## P 54 022

The P 54 022 brake pad is synonymous with reliability

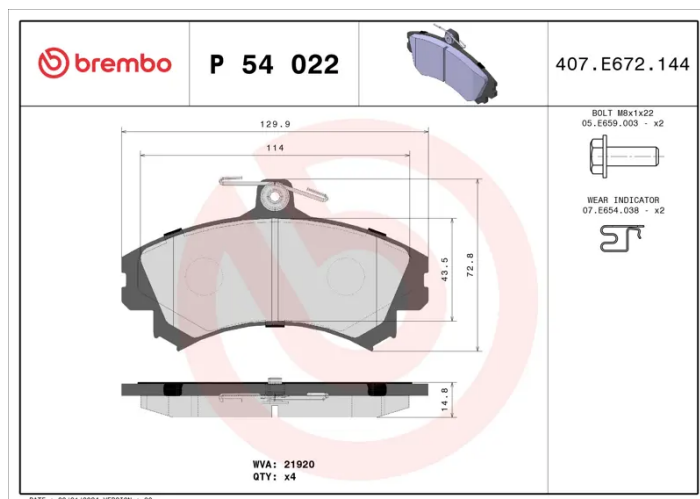
The Brembo brake pad guarantees ultimate safety when braking thanks to the use of more than 100 different compounds, designed according to the type of vehicle and use. Stopping distances reduced to a minimum, maximum driving comfort and silent operation are the most important features of Brembo materials. Brembo brake pads are supplied together with an extensive range of accessories and assembly kits for professional-standard installation.

- ✓ OE-equivalent
- ✓ Brembo quality
- ✓ ECE-R90 certificate
- ✓ Safety
- ✓ Performance
- ✓ Comfort
- ✓ With accessories



### Technical specifications

EAN code <b>8020584054697</b>	Axle <b>Front</b>	Thickness <b>15 mm</b>
Width <b>130 mm</b>	Height <b>73 mm</b>	Braking system <b>Lucas</b>
Wear indicator <b>Acoustic</b>	WVA number <b>21920</b>	Accessories <b>With accessories With anti-squeal shim With brake caliper bolts</b>



**COMPATIBLE VEHICLES**

## COMPATIBLE OE PART NUMBERS

DBP511117 MITSUBISHI

---

MR235557 MITSUBISHI

---

MR249241 MITSUBISHI

---

MR389520 MITSUBISHI

---

MR407946 MITSUBISHI

---

MZ690336 MITSUBISHI

---

MZ690593 MITSUBISHI

---

TS200058 MITSUBISHI

---

X3511007 MITSUBISHI

---

PW890078 PROTON

---

30769197 VOLVO

---

3345670 VOLVO

---

33456708 VOLVO

---