



# BRAKE PAD

## P 59 044

The P 59 044 brake pad is synonymous with reliability

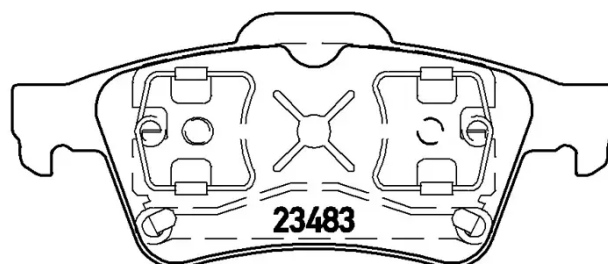
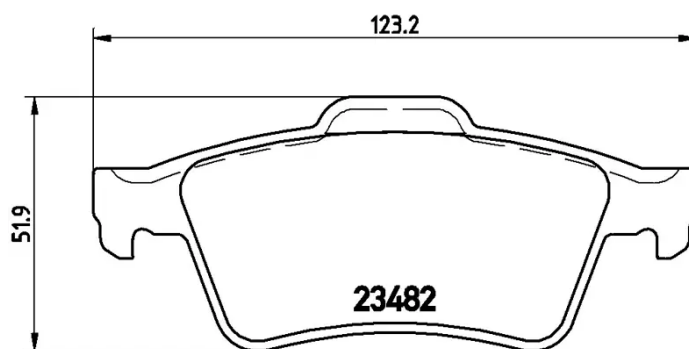
The Brembo brake pad guarantees ultimate safety when braking thanks to the use of more than 100 different compounds, designed according to the type of vehicle and use. Stopping distances reduced to a minimum, maximum driving comfort and silent operation are the most important features of Brembo materials. Brembo brake pads are supplied together with an extensive range of accessories and assembly kits for professional-standard installation.

- ✓ OE-equivalent
- ✓ Brembo quality
- ✓ ECE-R90 certificate
- ✓ Safety
- ✓ Performance
- ✓ Comfort



### Technical specifications

EAN code	Axle	Thickness
<b>8020584055755</b>	<b>Rear</b>	<b>17 mm</b>
Width	Height	Braking system
<b>123 mm</b>	<b>52 mm</b>	<b>Teves</b>
Wear indicator	WVA number	Accessories
<b>Without</b>	<b>23482,23483</b>	<b>With anti-squeal shim</b>



COMPATIBLE VEHICLES

## COMPATIBLE OE PART NUMBERS

128417752 BAIC

---

44060AV625 NISSAN

---

44060AV725 NISSAN

---

44060BA00F RENAULT

---

7701206609 RENAULT

---

7701207767 RENAULT

---

7701207968 RENAULT

---

7701207996 RENAULT

---

8660004473 RENAULT

---

8671016680 RENAULT

---

12799240 SAAB

---