



BRAKE PAD

P 85 102

The P 85 102 brake pad is synonymous with reliability

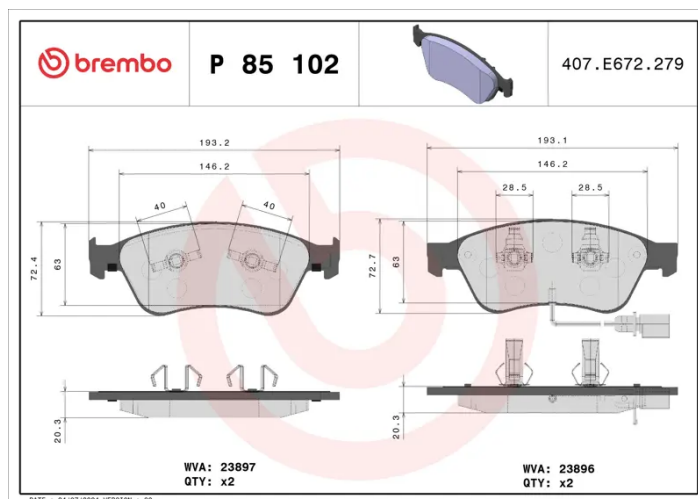
The Brembo brake pad guarantees ultimate safety when braking thanks to the use of more than 100 different compounds, designed according to the type of vehicle and use. Stopping distances reduced to a minimum, maximum driving comfort and silent operation are the most important features of Brembo materials. Brembo brake pads are supplied together with an extensive range of accessories and assembly kits for professional-standard installation.

- ✓ OE-equivalent
- ✓ Brembo quality
- ✓ ECE-R90 certificate
- ✓ Safety
- ✓ Performance
- ✓ Comfort
- ✓ With accessories



Technical specifications

EAN code 8020584062517	Axle Front	Thickness 21 mm
Width 193 mm	Height 73 mm	Braking system Teves
Wear indicator Electric	WVA number 23896,23897	Accessories With accessories With anti-squeal shim With piston clip



COMPATIBLE VEHICLES

COMPATIBLE OE PART NUMBERS

4E0698151 AUDI

4E0698151A AUDI

4E0698151B AUDI

4E0698151E AUDI

4E0698151J AUDI

4E0698151K AUDI

4E0698151R AUDI

4E4698151 AUDI

4E4698151A AUDI

4E0698151 SEAT

4E0698151A SEAT

4E0698151B SEAT

4E0698151E SEAT

4E0698151J SEAT

4E0698151K SEAT

4E0698151 SKODA

4E0698151A SKODA

4E0698151B SKODA

4E0698151E SKODA

4E0698151J SKODA

4E0698151K SKODA

4D098151AB VW

4E0698151 VW

4E0698151A VW

4E0698151B VW

4E0698151E VW

4E0698151J VW

4E0698151K VW

4E0698151Q VW
