



# BRAKE PAD

## P 65 020

The P 65 020 brake pad is synonymous with reliability

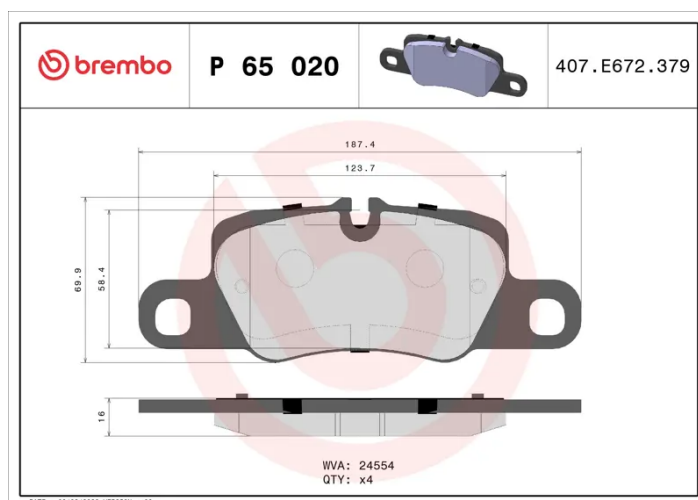
The Brembo brake pad guarantees ultimate safety when braking thanks to the use of more than 100 different compounds, designed according to the type of vehicle and use. Stopping distances reduced to a minimum, maximum driving comfort and silent operation are the most important features of Brembo materials. Brembo brake pads are supplied together with an extensive range of accessories and assembly kits for professional-standard installation.

- ✓ OE-equivalent
- ✓ Brembo quality
- ✓ ECE-R90 certificate
- ✓ Safety
- ✓ Performance
- ✓ Comfort



### Technical specifications

EAN code <b>8020584090800</b>	Axle <b>Rear</b>	Thickness <b>16 mm</b>
Width <b>187 mm</b>	Height <b>70 mm</b>	Braking system <b>Brembo</b>
Wear indicator <b>Prepared for wear indicator</b>	WVA number <b>24554</b>	Accessories <b>With anti-squeal shim</b>



COMPATIBLE VEHICLES

## COMPATIBLE OE PART NUMBERS

97035194905 PORSCHE

---

97035294902 PORSCHE

---

97035294904 PORSCHE

---

97035294905 PORSCHE

---

97035294908 PORSCHE

---

97035294910 PORSCHE

---

971698451A PORSCHE

---

971698451D PORSCHE

---

971698451H PORSCHE

---

971698451K PORSCHE

---

971698451L PORSCHE

---

971698451M PORSCHE

---

9Y0698451M PORSCHE

---