



BRAKE DISC MAX

08.7104.75

The 08.7104.75 Max brake disc is synonymous with reliability

The Brembo Max brake disc features grooves on the braking surface. The special shape of the grooves generates greater fading resistance and constant renewal of friction material, quickly restoring optimum braking conditions. The UV paint completes the sporty look.

- ✓ Brembo quality
- ✓ ECE-R90 certificate
- ✓ Performance
- ✓ Sports driving
- ✓ Sporty look
- ✓ Anti-corrosion



Technical specifications



EAN code
8020584710470

Axle
Rear

Diameter Ø
239 mm

Thickness (TH)
10 mm

Height (A)
48 mm

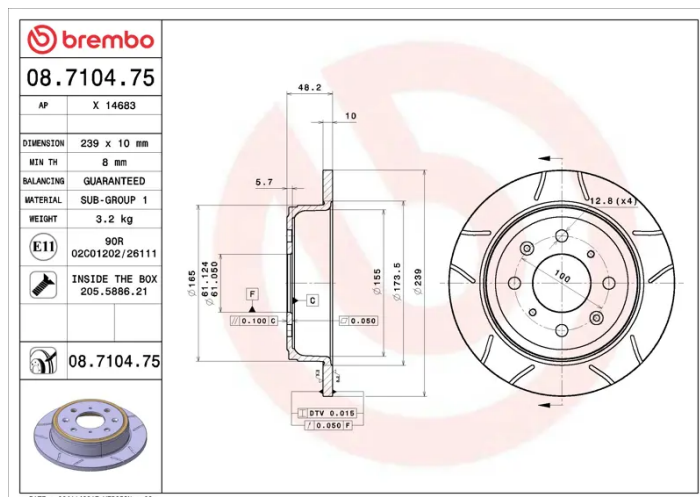
Number of holes (C)
4

Brake disc type
Solid

Centering (B)
61 mm

Min. thickness
8 mm

Tightening torque
108 Nm



COMPATIBLE VEHICLES

COMPATIBLE OE PART NUMBERS

42510SH3G00	ACURA
-------------	-------

42510SE0000	HONDA
-------------	-------

42510SE0010	HONDA
-------------	-------

42510SH3G00	HONDA
-------------	-------

42510SK3305	HONDA
-------------	-------

42510SK3E00	HONDA
-------------	-------