



# BRAKE DISC

## 08.A029.20

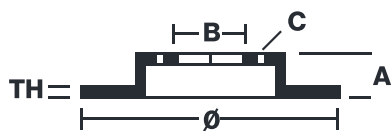
The **08.A029.20** brake disc is synonymous with reliability

The Brembo brake disc is fully interchangeable with an Original Equipment brake disc. The control of the entire production cycle allows Brembo to offer brake discs with outstanding performance levels, reliability, durability and comfort in all conditions of use. All Brembo brake discs are accompanied by the ECE-R90 homologation.

- ✓ OE-equivalent
- ✓ Brembo quality
- ✓ ECE-R90 certificate
- ✓ Safety



### Technical specifications



EAN code  
**8020584014837**

Axle  
**Rear**

Diameter Ø  
**265 mm**

Thickness (TH)  
**11 mm**

Height (A)  
**41 mm**

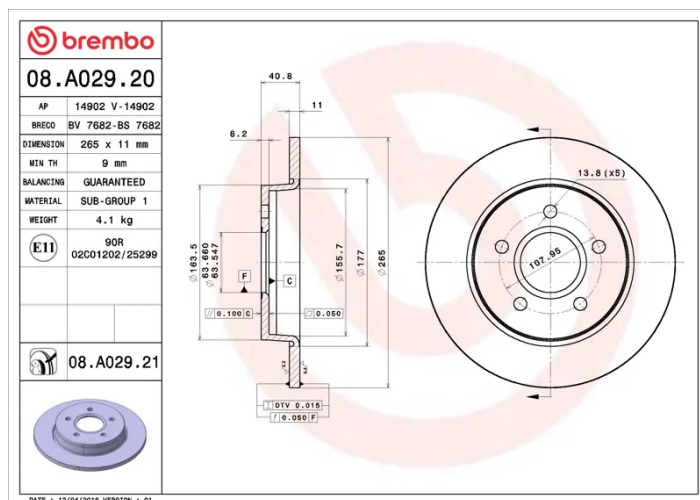
Number of holes (C)  
**5**

Brake disc type  
**Solid**

Centering (B)  
**64 mm**

Min. thickness  
**9 mm**

Tightening torque  
**100 Nm**



COMPATIBLE VEHICLES

## COMPATIBLE OE PART NUMBERS

1223540	FORD
1223543	FORD
1253727	FORD
1253728	FORD
1320347	FORD
1373360	FORD
1468946	FORD
1501061	FORD
1501068	FORD
1575733	FORD
1748745	FORD
3M512A315A1E	FORD
3M512A315AB	FORD
3M512A315AC	FORD
3M512A315AD	FORD
3M512A315AE	FORD
3M512A315CA	FORD
5M512A315BC	FORD
7M512A315FA	FORD
9M512A315BA	FORD
9M512A315BB	FORD
1364216	FORD (CHANGAN)
1771568	FORD (CHANGAN)
6M512A315AA	FORD (CHANGAN)
6M512A315AB	FORD (CHANGAN)
5M512A315BC	FORD ASIA & OCEANIA
6M512A315AA	MAZDA (CHANGAN)
BS1A26251	MAZDA (CHANGAN)