



# BRAKE DISC PAINTED

## 08.A114.21

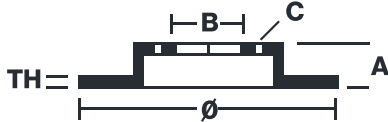
The 08.A114.21 painted brake disc is synonymous with reliability

The Brembo brake disc with special UV paint treatment guarantees superior corrosion resistance for the product, thanks to the protective coating on the outer edges and on the disc hub. The UV paint not only gives the disc a clean, shiny appearance but is also beneficial for the environment as the water-based UV paint treatment does not require the use of chemical solvents and is a low energy consumption process.

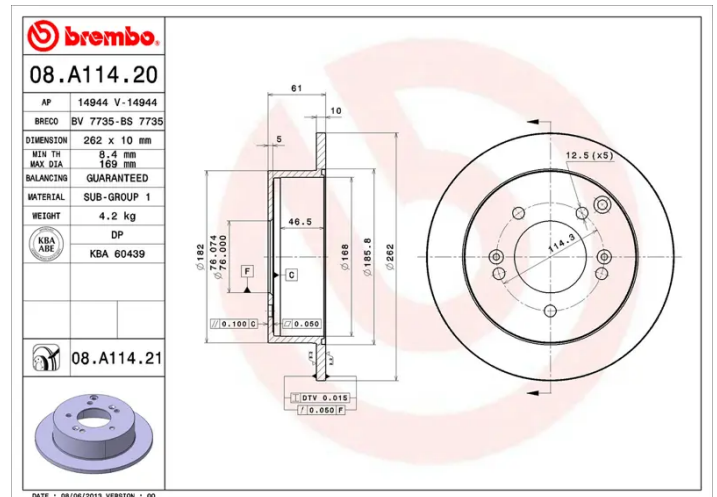
- ✓ OE-equivalent
- ✓ Brembo quality
- ✓ ECE-R90 certificate
- ✓ Safety
- ✓ Anti-corrosion



### Technical specifications



EAN code <b>8020584031124</b>	Axle <b>Rear</b>	Diameter Ø <b>262 mm</b>
Thickness (TH) <b>10 mm</b>	Height (A) <b>61 mm</b>	Number of holes (C) <b>5</b>
Brake disc type <b>Solid</b>	Centering (B) <b>76 mm</b>	Min. thickness <b>8,4 mm</b>
Tightening torque <b>100 Nm</b>		



**COMPATIBLE VEHICLES**

## COMPATIBLE OE PART NUMBERS

584110A000	HYUNDAI
584110A010	HYUNDAI
5841139300	HYUNDAI
5841139600	HYUNDAI
584113K300	HYUNDAI
5841139600	HYUNDAI (BEIJING)
5841139300	KIA
5841139600	KIA
584113K300	KIA
55841139600	KIA
5841139600	KIA (DYK)