



BRAKE DISC PAINTED

08.A157.11

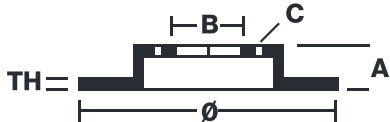
The 08.A157.11 painted brake disc is synonymous with reliability

The Brembo brake disc with special UV paint treatment guarantees superior corrosion resistance for the product, thanks to the protective coating on the outer edges and on the disc hub. The UV paint not only gives the disc a clean, shiny appearance but is also beneficial for the environment as the water-based UV paint treatment does not require the use of chemical solvents and is a low energy consumption process.

- ✓ OE-equivalent
- ✓ Brembo quality
- ✓ ECE-R90 certificate
- ✓ Safety
- ✓ Anti-corrosion

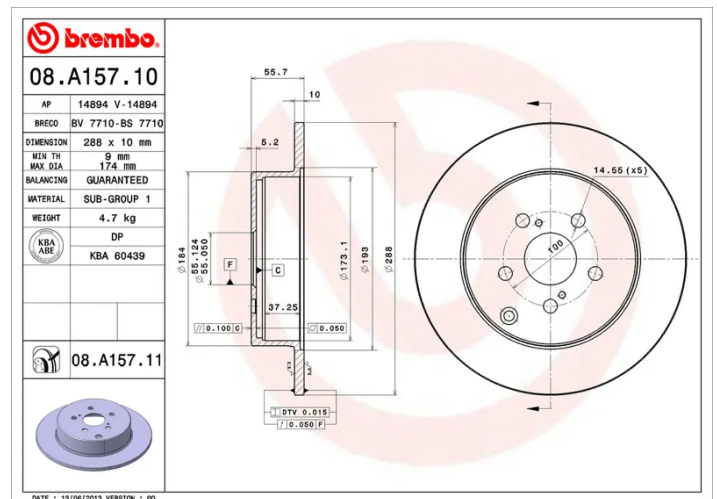


Technical specifications



EAN code	Axle	Diameter \varnothing
8020584037874	Rear	288 mm
Thickness (TH)	Height (A)	Number of holes (C)
10 mm	56 mm	5
Brake disc type	Centering (B)	Min. thickness
Solid	55 mm	9 mm

Tightening torque
103 Nm



COMPATIBLE VEHICLES

COMPATIBLE OE PART NUMBERS

4243121010

TOYOTA

4243121011

TOYOTA
