



BRAKE DISC XTRA

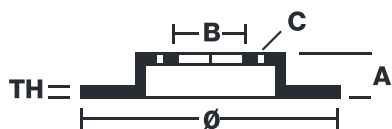
08.A715.2X

The 08.A715.2X Xtra brake disc is synonymous with reliability

The Brembo Xtra brake disc features holes on the braking surface. The holes are designed to improve the cooling of the braking system, to generate greater fading resistance and grip in the initial stages of braking. The sports look is also enhanced by the presence of the UV paint.

- ✓ Brembo quality
- ✓ ECE-R90 certificate
- ✓ Performance
- ✓ Sports driving
- ✓ Sporty look
- ✓ Anti-corrosion

Technical specifications



EAN code
8020584328903

Axle
Rear

Diameter Ø
292 mm

Thickness (TH)
9 mm

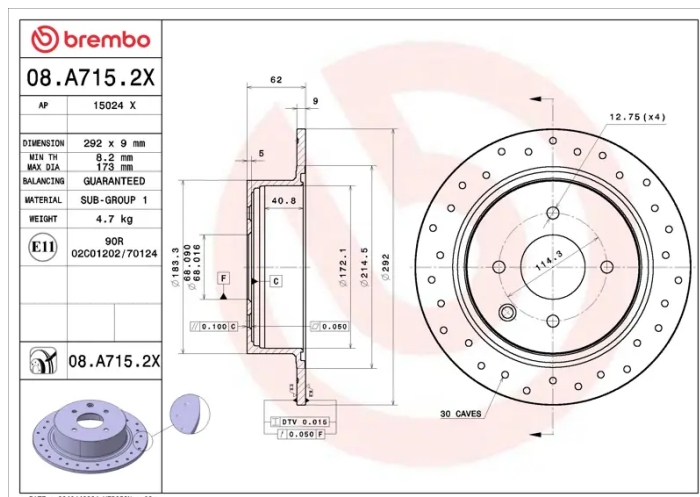
Height (A)
62 mm

Number of holes (C)
4

Brake disc type
Solid

Centering (B)
68 mm

Min. thickness
8,2 mm



COMPATIBLE VEHICLES

COMPATIBLE OE PART NUMBERS

43206EM10A	NISSAN
------------	--------

43206ZW90A	NISSAN
------------	--------

D3206EM10A	NISSAN
------------	--------

43206EW81B	NISSAN (DFAC)
------------	---------------
