



BRAKE DISC

09.5023.10

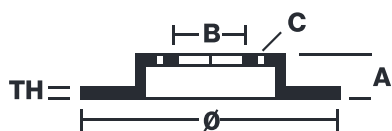
The **09.5023.10** brake disc is synonymous with reliability

The Brembo brake disc is fully interchangeable with an Original Equipment brake disc. The control of the entire production cycle allows Brembo to offer brake discs with outstanding performance levels, reliability, durability and comfort in all conditions of use. All Brembo brake discs are accompanied by the ECE-R90 homologation.

- ✓ OE-equivalent
- ✓ Brembo quality
- ✓ ECE-R90 certificate
- ✓ Safety
- ✓ Fastening screws



Technical specifications



EAN code
8020584502310

Axle
Front

Diameter Ø
242 mm

Thickness (TH)
19 mm

Height (A)
44 mm

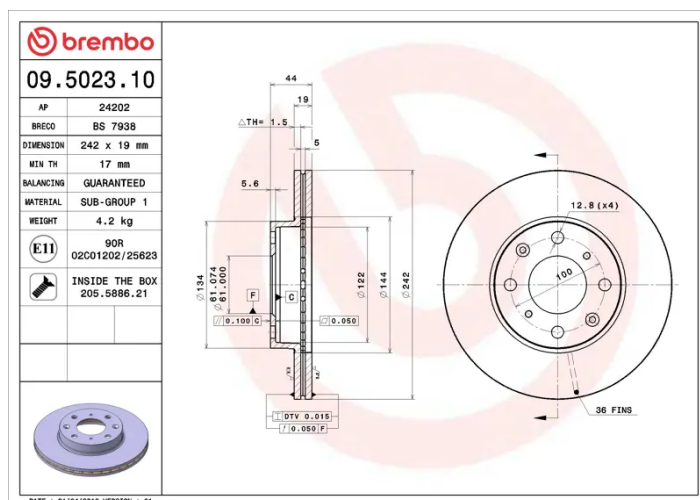
Number of holes (C)
4

Brake disc type
Ventilated

Centering (B)
61 mm

Min. thickness
17 mm

Tightening torque
108 Nm



COMPATIBLE VEHICLES

COMPATIBLE OE PART NUMBERS

45251SB2780	ACURA
-------------	-------

45251SB2781	ACURA
-------------	-------

45251SB2782	ACURA
-------------	-------

45251SB2782A	ACURA
--------------	-------

45251SB2980	ACURA
-------------	-------

45251SB2981	ACURA
-------------	-------

45251SB2982	ACURA
-------------	-------

45251SB2990	ACURA
-------------	-------

45251SB2780	HONDA
-------------	-------

45251SB2781	HONDA
-------------	-------

45251SB2782	HONDA
-------------	-------

45251SB2980	HONDA
-------------	-------

45251SB2981	HONDA
-------------	-------

45251SB2982	HONDA
-------------	-------

45251SB2990	HONDA
-------------	-------