



BRAKE DISC

09.5574.10

The **09.5574.10** brake disc is synonymous with reliability

The Brembo brake disc is fully interchangeable with an Original Equipment brake disc. The control of the entire production cycle allows Brembo to offer brake discs with outstanding performance levels, reliability, durability and comfort in all conditions of use. All Brembo brake discs are accompanied by the ECE-R90 homologation.

- ✓ OE-equivalent
- ✓ Brembo quality
- ✓ ECE-R90 certificate
- ✓ Safety
- ✓ Fastening screws



Technical specifications



EAN code
8020584557419

Axle
Front

Diameter Ø
283 mm

Thickness (TH)
26 mm

Height (A)
48 mm

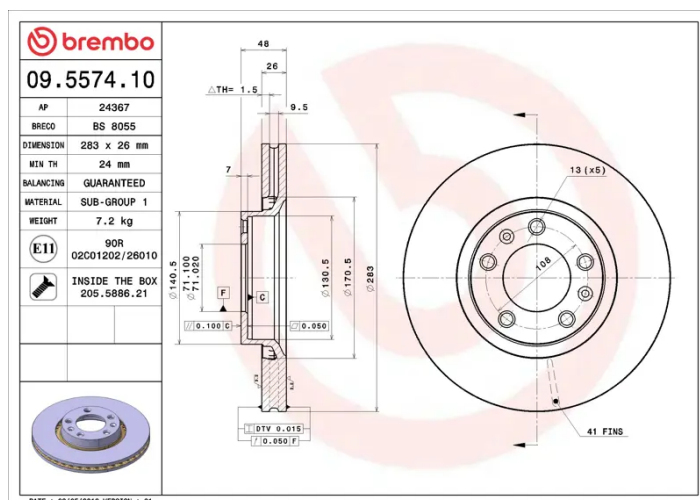
Number of holes (C)
5

Brake disc type
Ventilated

Centering (B)
71 mm

Min. thickness
24 mm

Tightening torque
90 Nm



COMPATIBLE VEHICLES

COMPATIBLE OE PART NUMBERS

1606308680	CITROËN
------------	---------

1618862580	CITROËN
------------	---------

95661813	CITROËN
----------	---------

96099616	CITROËN
----------	---------

1606308680	PEUGEOT
------------	---------

1618862580	PEUGEOT
------------	---------

1667857280	PEUGEOT
------------	---------

E169147	PEUGEOT
---------	---------

E169513	PEUGEOT
---------	---------

SU001B2510	TOYOTA
------------	--------

SU001B3767	TOYOTA
------------	--------