



BRAKE DISC PAINTED

09.7808.11

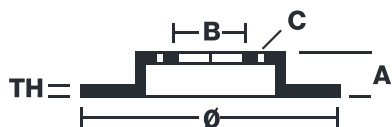
The 09.7808.11 painted brake disc is synonymous with reliability

The Brembo brake disc with special UV paint treatment guarantees superior corrosion resistance for the product, thanks to the protective coating on the outer edges and on the disc hub. The UV paint not only gives the disc a clean, shiny appearance but is also beneficial for the environment as the water-based UV paint treatment does not require the use of chemical solvents and is a low energy consumption process.

- ✓ OE-equivalent
- ✓ Brembo quality
- ✓ ECE-R90 certificate
- ✓ Safety
- ✓ High carbon
- ✓ Anti-corrosion
- ✓ Fastening screws

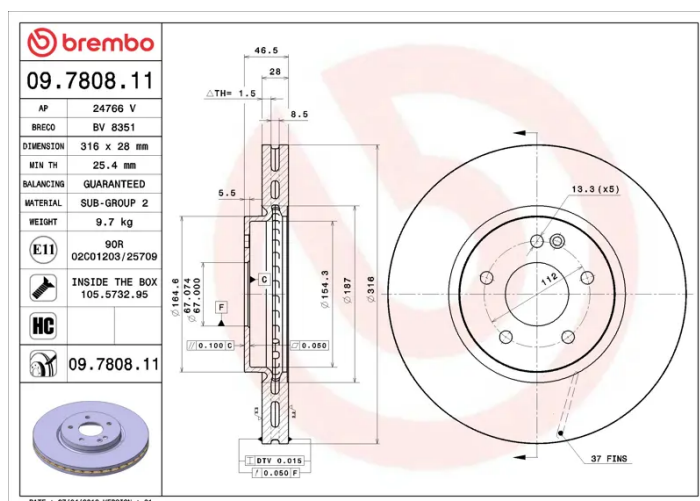


Technical specifications



EAN code 8020584012031	Axle Front	Diameter Ø 316 mm
Thickness (TH) 28 mm	Height (A) 47 mm	Number of holes (C) 5
Brake disc type Ventilated	Centering (B) 67 mm	Min. thickness 25,4 mm

Tightening torque
110 Nm



COMPATIBLE VEHICLES

COMPATIBLE OE PART NUMBERS

2104211112	MERCEDES-BENZ
------------	---------------

2104211412	MERCEDES-BENZ
------------	---------------

2104211712	MERCEDES-BENZ
------------	---------------

2104212012	MERCEDES-BENZ
------------	---------------

A2104211412	MERCEDES-BENZ
-------------	---------------

A2104211712	MERCEDES-BENZ
-------------	---------------

A2104212012	MERCEDES-BENZ
-------------	---------------