



BRAKE DISC MAX

09.9468.76

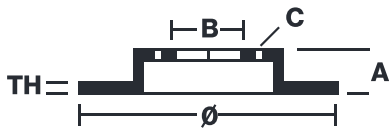
The 09.9468.76 Max brake disc is synonymous with reliability

The Brembo Max brake disc features grooves on the braking surface. The special shape of the grooves generates greater fading resistance and constant renewal of friction material, quickly restoring optimum braking conditions. The UV paint completes the sporty look.

- ✓ Brembo quality
- ✓ ECE-R90 certificate
- ✓ Performance
- ✓ Sports driving
- ✓ Sporty look
- ✓ High carbon
- ✓ Anti-corrosion



Technical specifications



EAN code
8020584031315

Axle
Front

Diameter \varnothing
300 mm

Thickness (TH)
25 mm

Height (A)
49 mm

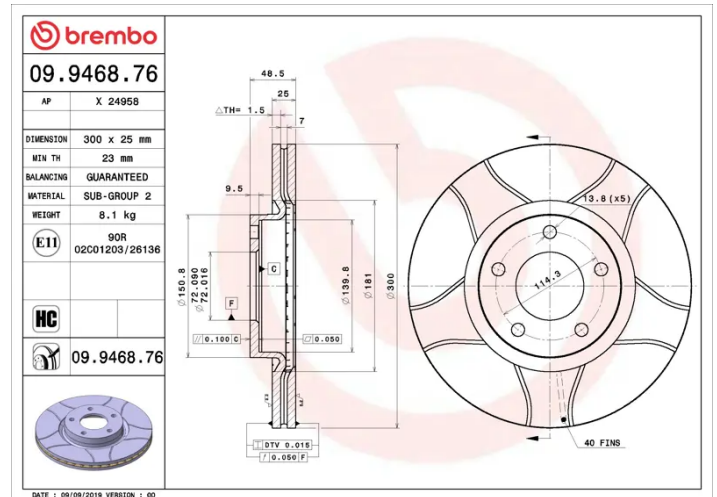
Number of holes (C)
5

Brake disc type
Ventilated

Centering (B)
72 mm

Min. thickness
23 mm

Tightening torque
103 Nm



COMPATIBLE VEHICLES

COMPATIBLE OE PART NUMBERS

BP6Y3325XD	MAZDA
------------	-------

BP6Y3325XE	MAZDA
------------	-------

BP6Y3325XF	MAZDA
------------	-------

C26Y3325X	MAZDA
-----------	-------

C26Y3325XA	MAZDA
------------	-------

C26Y3325XB	MAZDA
------------	-------

C26Y3325XC	MAZDA
------------	-------

C26Y3325XD	MAZDA
------------	-------