



BRAKE DISC XTRA

09.A968.2X

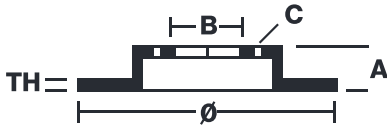
The 09.A968.2X Xtra brake disc is synonymous with reliability

The Brembo Xtra brake disc features holes on the braking surface. The holes are designed to improve the cooling of the braking system, to generate greater fading resistance and grip in the initial stages of braking. The sports look is also enhanced by the presence of the UV paint.



- ✓ Brembo quality
- ✓ ECE-R90 certificate
- ✓ Performance
- ✓ Sports driving
- ✓ Sporty look
- ✓ Anti-corrosion

Technical specifications



EAN code
8020584217504

Axle
Front

Diameter Ø
258 mm

Thickness (TH)
23 mm

Height (A)
44 mm

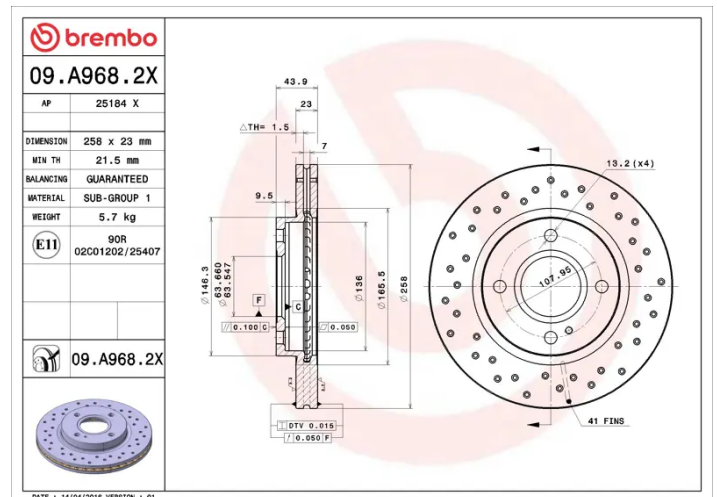
Number of holes (C)
4

Brake disc type
Ventilated

Centering (B)
64 mm

Min. thickness
21,5 mm

Tightening torque
85 Nm



COMPATIBLE VEHICLES

COMPATIBLE OE PART NUMBERS

1523795	FORD
1535924	FORD
1546835	FORD
1679853	FORD
1892667	FORD
1892668	FORD
2017682	FORD
8V511125AA	FORD
8V511125AB	FORD
8V511125AC	FORD
8V511125AD	FORD
AE8Z1125B	FORD
E4B11125AA	FORD
E4B11125BA	FORD
G1B51125AA	FORD
1523795	FORD ASIA & OCEANIA
1535924	FORD ASIA & OCEANIA
1546835	FORD ASIA & OCEANIA
1679853	FORD ASIA & OCEANIA
8V511125AA	FORD ASIA & OCEANIA
8V511125AB	FORD ASIA & OCEANIA
8V511125AC	FORD ASIA & OCEANIA
8V511125AD	FORD ASIA & OCEANIA
AE8Z1125A	FORD USA
AE8Z1125B	FORD USA