



BRAKE DISC MAX

09.C114.75

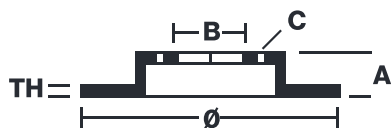
The 09.C114.75 Max brake disc is synonymous with reliability

The Brembo Max brake disc features grooves on the braking surface. The special shape of the grooves generates greater fading resistance and constant renewal of friction material, quickly restoring optimum braking conditions. The UV paint completes the sporty look.

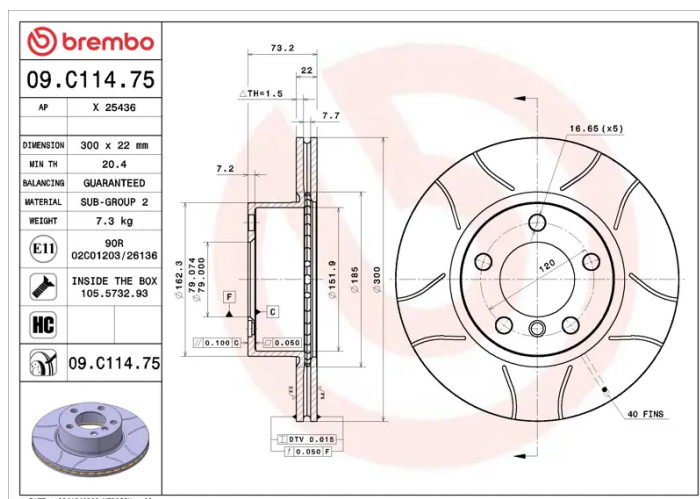
- ✓ Brembo quality
- ✓ ECE-R90 certificate
- ✓ Performance
- ✓ Sports driving
- ✓ Sporty look
- ✓ High carbon
- ✓ Anti-corrosion
- ✓ Fastening screws



Technical specifications



EAN code	Diameter \varnothing	
8020584326121	300 mm	
Thickness (TH)	Height (A)	Number of holes (C)
22 mm	73 mm	5
Brake disc type	Centering (B)	Min. thickness
Ventilated	79 mm	20,4 mm



COMPATIBLE VEHICLES

COMPATIBLE OE PART NUMBERS

34116792217

BMW

6792217

BMW

34116792217

BMW (BRILLIANCE)

6792217

BMW (BRILLIANCE)
