



DRUM

14.3220.10

The 14.3220.10 drum is synonymous with reliability

Brembo has developed several design solutions for drum brakes which combine multiple materials to reduce the overall weight. The most popular range of lamellar graphite cast iron drums is supplemented by cast iron drums with a steel sprocket flange and aluminium drums, whereby only the inner part of the drum on which the shoes operate are made of lamellar cast iron, namely the brake band. Additionally drums with built-in bearing kit and hub are added to this range.

- ✓ OE-equivalent
- ✓ Brembo quality
- ✓ Safety
- ✓ Durability



Technical specifications



EAN code
8020584322017

Axle
Rear

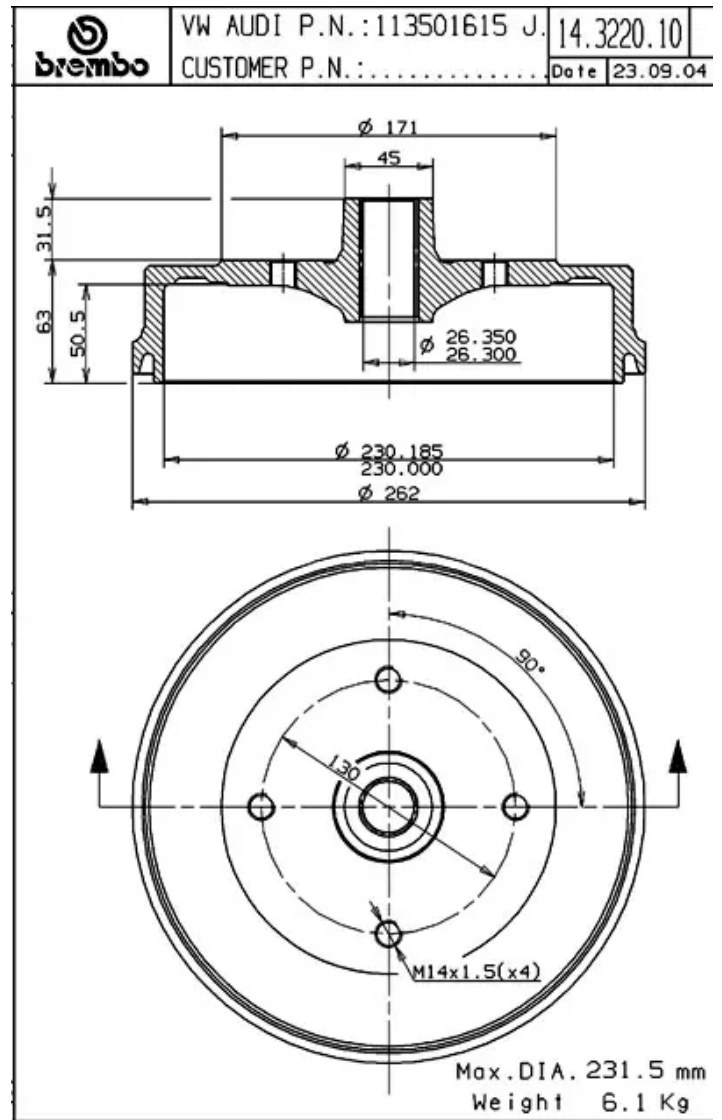
Diameter
230 mm

Width
50,5 mm

Height
94,5

Number of holes
4

Max diameter
231,5 mm



COMPATIBLE VEHICLES

COMPATIBLE OE PART NUMBERS

113501615	VW
113501615B	VW
113501615G	VW
113501615J	VW