



BRAKE PAD PRIME CERAMIC P10011N

The P10011N NAO brake pad is synonymous with reliability

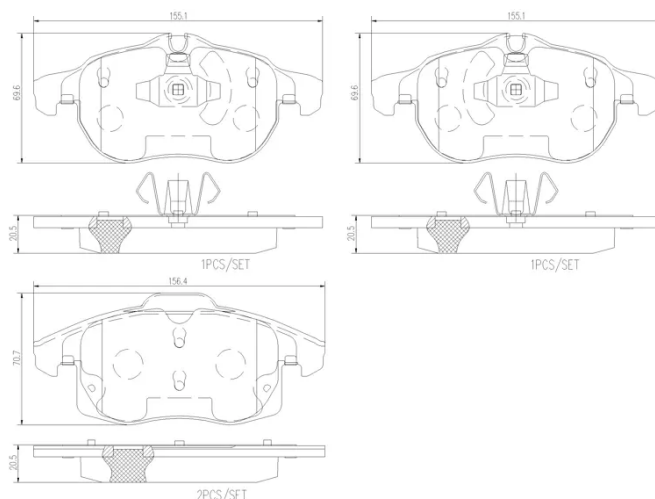
Brembo NAO brake pads stand out for their ultimate braking comfort, reduced friction wear and low dust mission, which makes for cleaner rims and reduced maintenance requirements. The advanced friction material in keeping with the strictest environmental standards is the main distinguishing feature of NAO compounds.

- ✓ OE-equivalent
- ✓ Brembo quality
- ✓ Safety
- ✓ Comfort
- ✓ Durability
- ✓ Dust reduction
- ✓ With accessories



Technical specifications

| | | |
|--|----------------------------------|---|
| EAN code 8020584116838 | Axle Front | Thickness 21 mm |
| Width 155 mm | Height 70 mm | Braking system Teves |
| Wear indicator Prepared for wear indicator | WVA number 23738,24155 | Accessories With accessories With anti-squeal shim With piston clip |



COMPATIBLE VEHICLES

COMPATIBLE OE PART NUMBERS

| | |
|-----------|----------------|
| 128417745 | BAIC |
| 1605137 | GENERAL MOTORS |
| 93188112 | GENERAL MOTORS |
| 1605095 | OPEL |
| 1605137 | OPEL |
| 93185752 | OPEL |
| 93188112 | OPEL |
| 1605095 | VAUXHALL |
| 1605137 | VAUXHALL |
| 93185752 | VAUXHALL |
| 93188112 | VAUXHALL |