

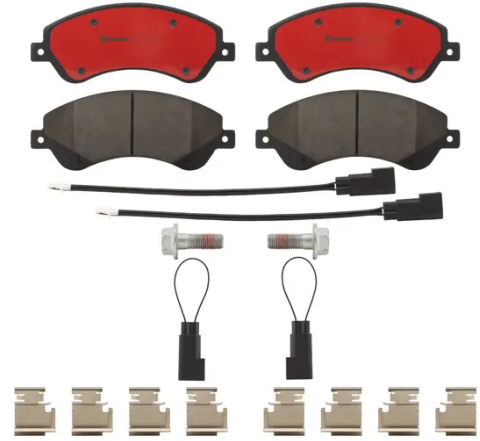


BRAKE PAD PRIME CERAMIC P24065N

The P24065N NAO brake pad is synonymous with reliability

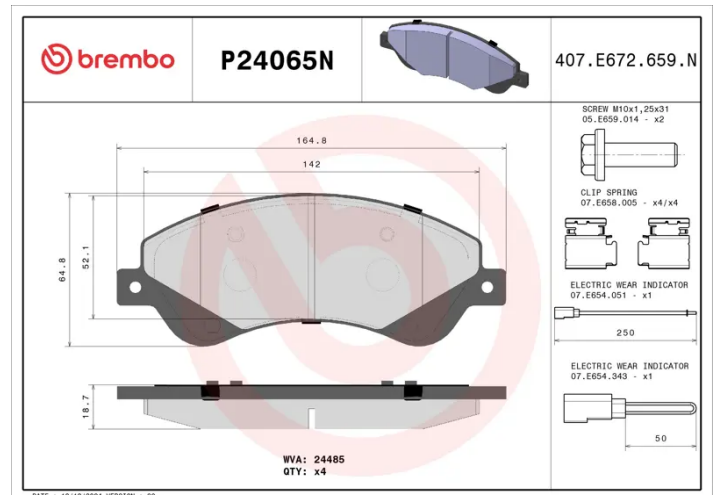
Brembo NAO brake pads stand out for their ultimate braking comfort, reduced friction wear and low dust mission, which makes for cleaner rims and reduced maintenance requirements. The advanced friction material in keeping with the strictest environmental standards is the main distinguishing feature of NAO compounds.

- ✓ OE-equivalent
- ✓ Brembo quality
- ✓ Safety
- ✓ Comfort
- ✓ Durability
- ✓ Dust reduction
- ✓ With accessories



Technical specifications

EAN code 8020584088449	Axle Front	Thickness 19 mm
Width 165 mm	Height 66 mm	Braking system Bosch
Wear indicator Electric	WVA number 24485	Accessories With accessories With anti-squeal shim With brake caliper bolts



COMPATIBLE VEHICLES

COMPATIBLE OE PART NUMBERS

1371403 FORD

1433954 FORD

1534428 FORD

1554523 FORD

1560023 FORD

1721086 FORD

1824347 FORD

6C112K021BB FORD

6C112K021BC FORD

6C112K021BD FORD

6C112K021BE FORD

9C112K021BA FORD

ME6C1J2K021BA FORD

ME6C1J2K021BB FORD
