



# BRAKE PAD PRIME CERAMIC P61079N

The P61079N NAO brake pad is synonymous with reliability

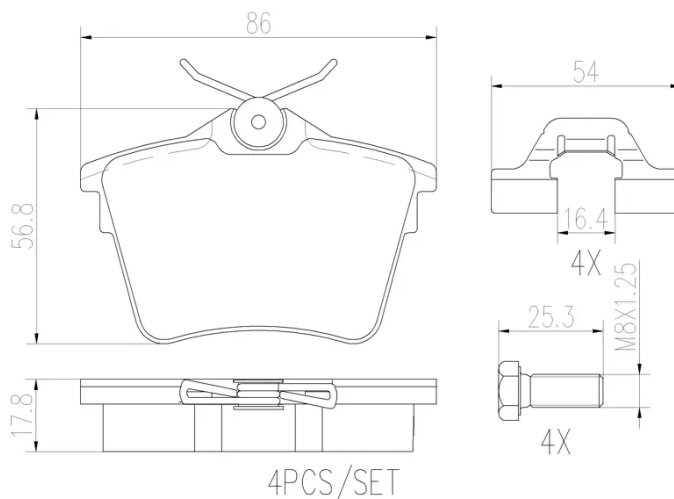
Brembo NAO brake pads stand out for their ultimate braking comfort, reduced friction wear and low dust mission, which makes for cleaner rims and reduced maintenance requirements. The advanced friction material in keeping with the strictest environmental standards is the main distinguishing feature of NAO compounds.

- ✓ OE-equivalent
- ✓ Brembo quality
- ✓ Safety
- ✓ Comfort
- ✓ Durability
- ✓ Dust reduction
- ✓ With accessories



## Technical specifications

EAN code <b>8020584089408</b>	Axle <b>Rear</b>	Thickness <b>18 mm</b>
Width <b>86 mm</b>	Height <b>57 mm</b>	Braking system <b>Lucas</b>
Wear indicator <b>Without</b>	WVA number <b>24135</b>	Accessories <b>With accessories</b> <b>With anti-squeal shim</b> <b>With brake caliper bolts</b>



## COMPATIBLE OE PART NUMBERS

1617264780	CITROËN
------------	---------

425279	CITROËN
--------	---------

425326	CITROËN
--------	---------

425421	CITROËN
--------	---------

425491	CITROËN
--------	---------

E172240	CITROËN
---------	---------

1617264780	PEUGEOT
------------	---------

425279	PEUGEOT
--------	---------

425326	PEUGEOT
--------	---------

425404	PEUGEOT
--------	---------

425421	PEUGEOT
--------	---------

425491	PEUGEOT
--------	---------

E172240	PEUGEOT
---------	---------