



BRAKE PAD PRIME CERAMIC P83080N

The P83080N NAO brake pad is synonymous with reliability

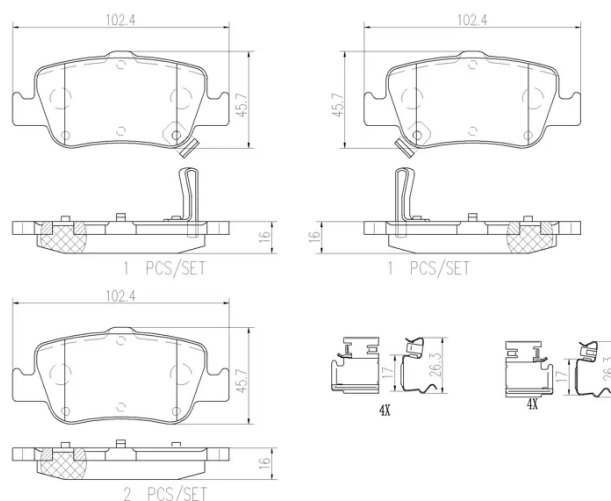
Brembo NAO brake pads stand out for their ultimate braking comfort, reduced friction wear and low dust mission, which makes for cleaner rims and reduced maintenance requirements. The advanced friction material in keeping with the strictest environmental standards is the main distinguishing feature of NAO compounds.

- ✓ OE-equivalent
- ✓ Brembo quality
- ✓ Safety
- ✓ Comfort
- ✓ Durability
- ✓ Dust reduction
- ✓ With accessories



Technical specifications

EAN code 8020584086766	Axle Rear	Thickness 16 mm
Width 102 mm	Height 46 mm	Braking system Bosch
Wear indicator Acoustic	WVA number 24664,24665,24666	Accessories With anti-squeal shim



COMPATIBLE VEHICLES

COMPATIBLE OE PART NUMBERS

0446602170 TOYOTA

0446602180 TOYOTA

0446602181 TOYOTA

0446602182 TOYOTA

0446602190 TOYOTA

0446602191 TOYOTA

0446602280 TOYOTA

0446602290 TOYOTA

0446602291 TOYOTA

0446602292 TOYOTA

0446602300 TOYOTA

0446602350 TOYOTA

04466YZZE3 TOYOTA
