

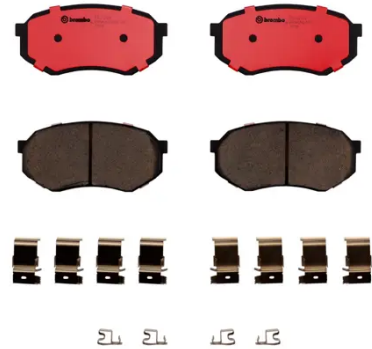


BRAKE PAD PRIME CERAMIC P83122N

The P83122N NAO brake pad is synonymous with reliability

Brembo NAO brake pads stand out for their ultimate braking comfort, reduced friction wear and low dust mission, which makes for cleaner rims and reduced maintenance requirements. The advanced friction material in keeping with the strictest environmental standards is the main distinguishing feature of NAO compounds.

- ✓ OE-equivalent
- ✓ Brembo quality
- ✓ Safety
- ✓ Comfort
- ✓ Durability
- ✓ Dust reduction
- ✓ With accessories



Technical specifications

EAN code
8020584099896

Axle
Front

Thickness
17 mm

Width
116 mm

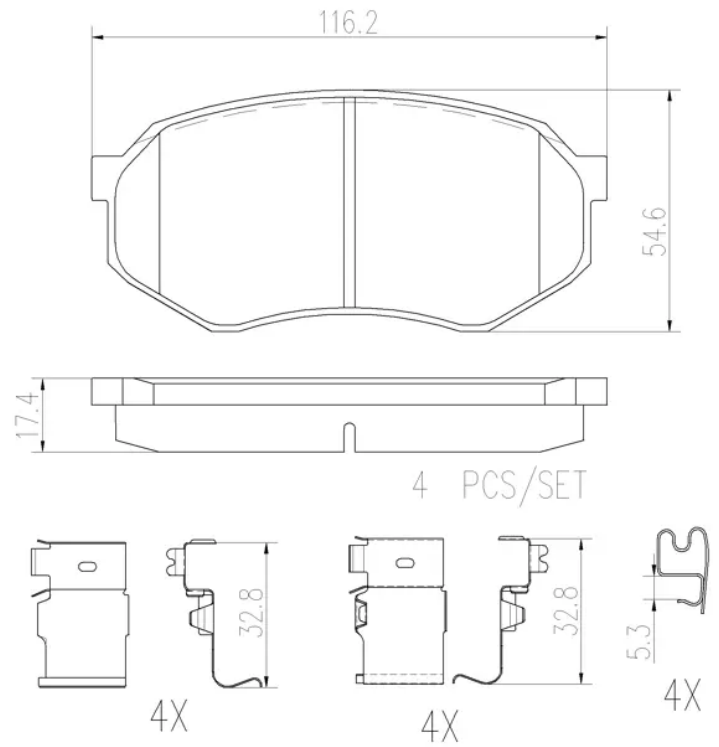
Height
55 mm

Braking system
Sumitomo

Wear indicator
Acoustic

WVA number
21537,21538

Accessories
With anti-squeal shim



COMPATIBLE VEHICLES

COMPATIBLE OE PART NUMBERS

AY040MA003 MAZDA

H2603328Z MAZDA

H2603328ZA MAZDA

H2603328ZB MAZDA

H26033625 MAZDA

H2613328ZA MAZDA

H3303328Z MAZDA

H7223323Z MAZDA

H7223323ZA MAZDA

H7223323ZB MAZDA

H7223328Z MAZDA

H7223328ZA MAZDA

HE213328Z MAZDA

HE213328ZB MAZDA

V9118X026 MAZDA

H3303328ZA MITSUBISHI

MB334326 MITSUBISHI

MB334327 MITSUBISHI

MB334338 MITSUBISHI

MB334339 MITSUBISHI

MC112140 MITSUBISHI

MC112189 MITSUBISHI

MC112190 MITSUBISHI

MC112193 MITSUBISHI

MC112194 MITSUBISHI

MC837978 MITSUBISHI

MC862936 MITSUBISHI

MC869778 MITSUBISHI

MC869779 MITSUBISHI

MC8862935 MITSUBISHI

AY040TY005 NISSAN

AY040TY006 NISSAN

AY040TY041 NISSAN

AY040TY043 NISSAN

0446504020 TOYOTA

0446504040 TOYOTA

0446522040 TOYOTA

0446522050 TOYOTA

0446522060 TOYOTA

0446522090 TOYOTA

0446522110 TOYOTA

0446522180 TOYOTA

0446522220 TOYOTA

0446535070 TOYOTA

0446543010 TOYOTA

| | |
|------------|--------|
| 0446543020 | TOYOTA |
| 0446543030 | TOYOTA |
| 0449122260 | TOYOTA |
| 0449122270 | TOYOTA |
| 0449122280 | TOYOTA |
| 0449122290 | TOYOTA |
| 0449122310 | TOYOTA |
| 0449122311 | TOYOTA |
| 0449122330 | TOYOTA |
| 0449122331 | TOYOTA |
| 0449122350 | TOYOTA |
| 0449122390 | TOYOTA |
| 0449122410 | TOYOTA |