

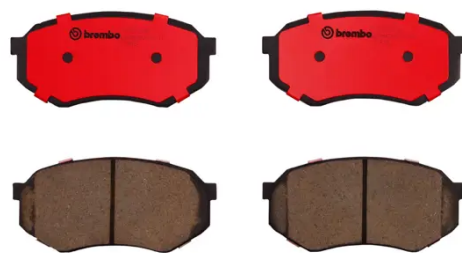


BRAKE PAD PRIME CERAMIC P83128N

The P83128N NAO brake pad is
synonymous with reliability

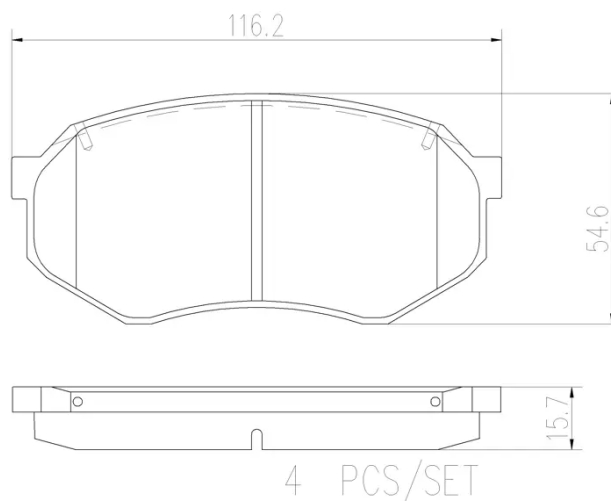
Brembo NAO brake pads stand out for their ultimate braking comfort, reduced friction wear and low dust mission, which makes for cleaner rims and reduced maintenance requirements. The advanced friction material in keeping with the strictest environmental standards is the main distinguishing feature of NAO compounds.

- ✓ OE-equivalent
- ✓ Brembo quality
- ✓ Safety
- ✓ Comfort
- ✓ Durability
- ✓ Dust reduction
- ✓ With accessories



Technical specifications

EAN code	Axle	Thickness
8020584109687	Front	16 mm
Width	Height	Braking system
116 mm	55 mm	Sumitomo
Wear indicator	WVA number	Accessories
Without	21537,21538	With anti-squeal shim



COMPATIBLE VEHICLES

COMPATIBLE OE PART NUMBERS

HE213328ZA	MAZDA
------------	-------

MC862934	MINIBISHI
----------	-----------

04465YZA7	TOYOTA
-----------	--------

0449122340	TOYOTA
------------	--------

0449135230	TOYOTA
------------	--------

0449135270	TOYOTA
------------	--------