



# BRAKE PAD PRIME CERAMIC P85121N

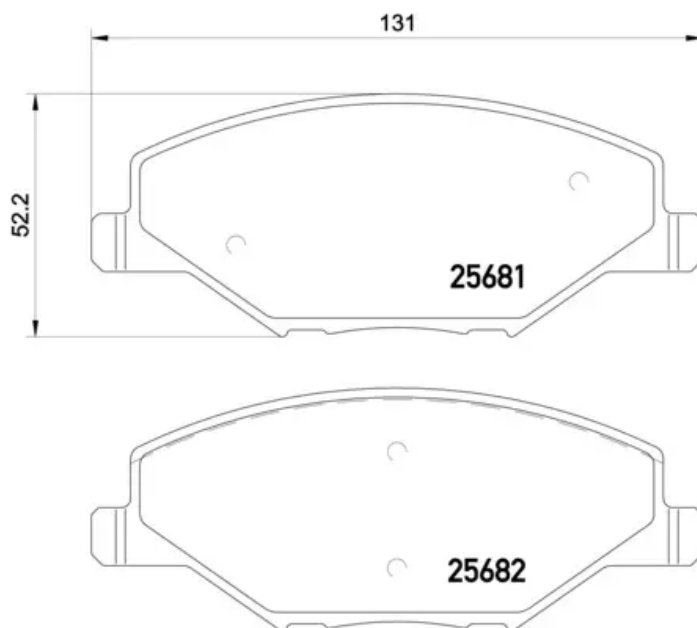
The P85121N NAO brake pad is  
synonymous with reliability

Brembo NAO brake pads stand out for their ultimate braking comfort, reduced friction wear and low dust mission, which makes for cleaner rims and reduced maintenance requirements. The advanced friction material in keeping with the strictest environmental standards is the main distinguishing feature of NAO compounds.

- ✓ OE-equivalent
- ✓ Brembo quality
- ✓ Safety
- ✓ Comfort
- ✓ Durability
- ✓ Dust reduction
- ✓ With accessories

## Technical specifications

EAN code	Axle	Thickness
8020584114537	Front	18 mm
Width	Height	Braking system
131 mm	52 mm	TRW
Wear indicator	WVA number	Accessories
Without	25681,25682	With accessories With anti-squeal shim With brake caliper bolts



COMPATIBLE VEHICLES

## COMPATIBLE OE PART NUMBERS

6RU698151	AUDI
-----------	------

6RU698151A	AUDI
------------	------

6RU698151B	AUDI
------------	------

JZW698151AK	AUDI
-------------	------

6RU698151	SEAT
-----------	------

6RU698151A	SEAT
------------	------

6RU698151B	SEAT
------------	------

JZW698151AK	SEAT
-------------	------

6RU698151	SKODA
-----------	-------

6RU698151A	SKODA
------------	-------

6RU698151B	SKODA
------------	-------

JZW698151AK	SKODA
-------------	-------

6RU698151	VW
-----------	----

6RU698151A	VW
------------	----

6RU698151B	VW
------------	----

JZW698151AK	VW
-------------	----

JZW698302CB	VW
-------------	----