



BRAKE PAD PRIME CERAMIC P86001N

The P86001N NAO brake pad is synonymous with reliability

Brembo NAO brake pads stand out for their ultimate braking comfort, reduced friction wear and low dust mission, which makes for cleaner rims and reduced maintenance requirements. The advanced friction material in keeping with the strictest environmental standards is the main distinguishing feature of NAO compounds.

- ✓ OE-equivalent
- ✓ Brembo quality
- ✓ Safety
- ✓ Comfort
- ✓ Durability
- ✓ Dust reduction
- ✓ With accessories



Technical specifications

EAN code
8020584080542

Axle
Front and rear

Thickness
13 mm

Width
63 mm

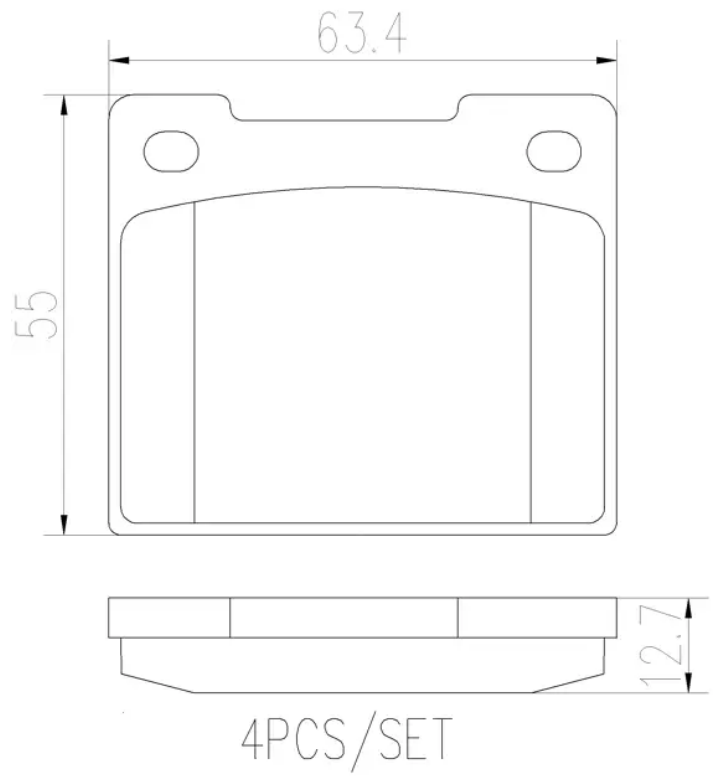
Height
55 mm

Braking system
Lucas

Wear indicator
Without

WVA number
20088

Accessories
With anti-squeal shim



COMPATIBLE VEHICLES

COMPATIBLE OE PART NUMBERS

1424023 FORD

1487400 FORD

1540857 FORD

5015923 FORD

5018901 FORD

73AB2K021BA FORD

7G919B337GA FORD

86AX2K021AA FORD

87AX2K021CA FORD

XH42238A04BA8SUN FORD

82315997 LANCIA

424534 PEUGEOT

GBP223 ROVER

35128499 TALBOT

424893 TALBOT

145319 TRIUMPH

270164 VOLVO

2701647 VOLVO

2713360 VOLVO

2718240 VOLVO

2719623 VOLVO

2725315 VOLVO

272567 VOLVO

2725679 VOLVO

272674 VOLVO

2726743 VOLVO

272780 VOLVO

2727808 VOLVO

272870 VOLVO

272876 VOLVO

2728764 VOLVO

2729119 VOLVO

27291190 VOLVO

275895 VOLVO

30648384 VOLVO

8628564 VOLVO