



BRAKE PAD PRIME CERAMIC P86007N

The P86007N NAO brake pad is synonymous with reliability

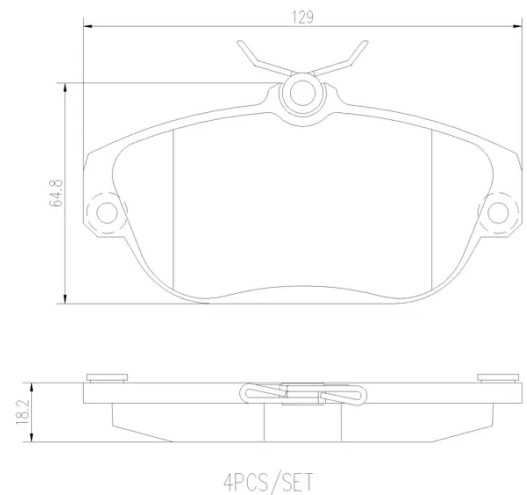
Brembo NAO brake pads stand out for their ultimate braking comfort, reduced friction wear and low dust mission, which makes for cleaner rims and reduced maintenance requirements. The advanced friction material in keeping with the strictest environmental standards is the main distinguishing feature of NAO compounds.

- ✓ OE-equivalent
- ✓ Brembo quality
- ✓ Safety
- ✓ Comfort
- ✓ Durability
- ✓ Dust reduction
- ✓ With accessories



Technical specifications

EAN code	Axle	Thickness
8020584080665	Front	18 mm
Width	Height	Braking system
129 mm	65 mm	Lucas
Wear indicator	WVA number	Accessories
Without	20164	With anti-squeal shim



COMPATIBLE VEHICLES

COMPATIBLE OE PART NUMBERS

271349 VOLVO

2713493 VOLVO

2713498 VOLVO

271737 VOLVO

2717379 VOLVO

271979 VOLVO

2719790 VOLVO

2719797 VOLVO

31261183 VOLVO

312611830 VOLVO

31302996 VOLVO

313029960 VOLVO

3516916 VOLVO
