



BRAKE PAD

P 24 084

The P 24 084 brake pad is synonymous with reliability

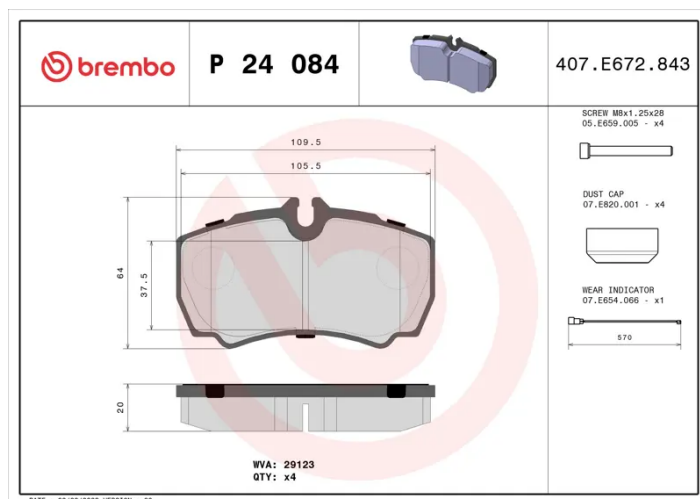
The Brembo brake pad guarantees ultimate safety when braking thanks to the use of more than 100 different compounds, designed according to the type of vehicle and use. Stopping distances reduced to a minimum, maximum driving comfort and silent operation are the most important features of Brembo materials. Brembo brake pads are supplied together with an extensive range of accessories and assembly kits for professional-standard installation.

- ✓ OE-equivalent
- ✓ Brembo quality
- ✓ ECE-R90 certificate
- ✓ Safety
- ✓ Performance
- ✓ Comfort
- ✓ With accessories



Technical specifications

EAN code 8020584090534	Axle Rear	Thickness 20 mm
Width 110 mm	Height 64 mm	Braking system Brembo
Wear indicator Electric	WVA number 29123	Accessories With accessories With anti-squeal shim With brake caliper bolts



COMPATIBLE VEHICLES

COMPATIBLE OE PART NUMBERS

1501265	FORD
---------	------

1718023	FORD
---------	------

8C1V2M008AA	FORD
-------------	------

8C1V2M008AB	FORD
-------------	------

8C1V2MM008AA	FORD
--------------	------
