



# BRAKE PAD

## P 50 030

**The P 50 030 brake pad is synonymous with reliability**

The Brembo brake pad guarantees ultimate safety when braking thanks to the use of more than 100 different compounds, designed according to the type of vehicle and use. Stopping distances reduced to a minimum, maximum driving comfort and silent operation are the most important features of Brembo materials. Brembo brake pads are supplied together with an extensive range of accessories and assembly kits for professional-standard installation.

- ✓ OE-equivalent
- ✓ Brembo quality
- ✓ ECE-R90 certificate
- ✓ Safety
- ✓ Performance
- ✓ Comfort



## Technical specifications

EAN code  
**8020584054024**

Axle  
**Rear**

Thickness  
**17 mm**

Width  
**64 mm**

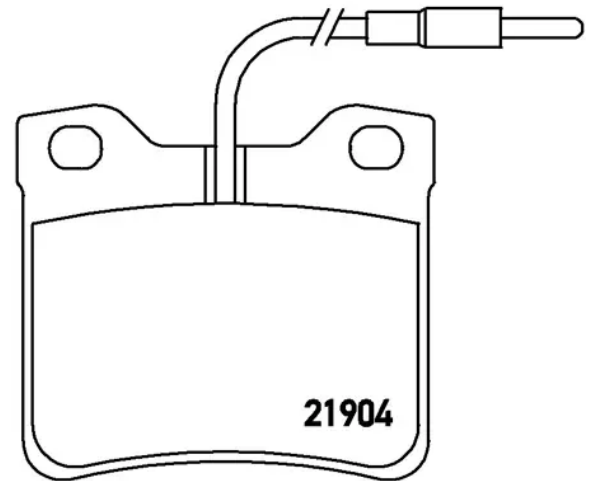
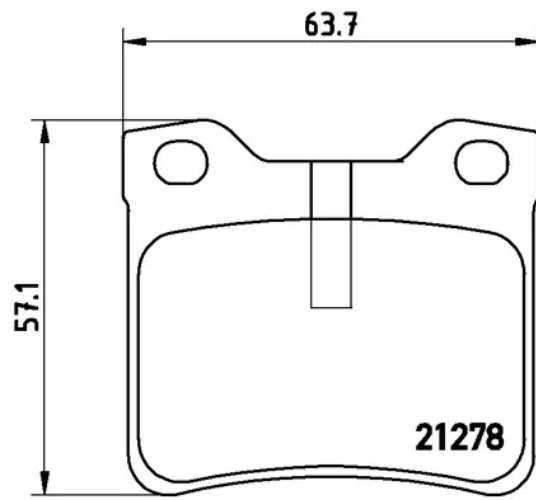
Height  
**57 mm**

Braking system  
**Teves**

Wear indicator  
**Electric**

WVA number  
**21278,21904**

Accessories  
**With anti-squeal shim**



## COMPATIBLE VEHICLES

## COMPATIBLE OE PART NUMBERS

425081	CITROËN
425193	CITROËN
E172223	CITROËN
0024204820	MERCEDES-BENZ
0034200020	MERCEDES-BENZ
00342000200010	MERCEDES-BENZ
6384230110	MERCEDES-BENZ
A0024204820	MERCEDES-BENZ
A0034200020	MERCEDES-BENZ
A00342000200010	MERCEDES-BENZ
A6384230110	MERCEDES-BENZ
1617253380	PEUGEOT
425081	PEUGEOT
425193	PEUGEOT
E172223	PEUGEOT