



BRAKE PAD

P 65 002

The P 65 002 brake pad is synonymous with reliability

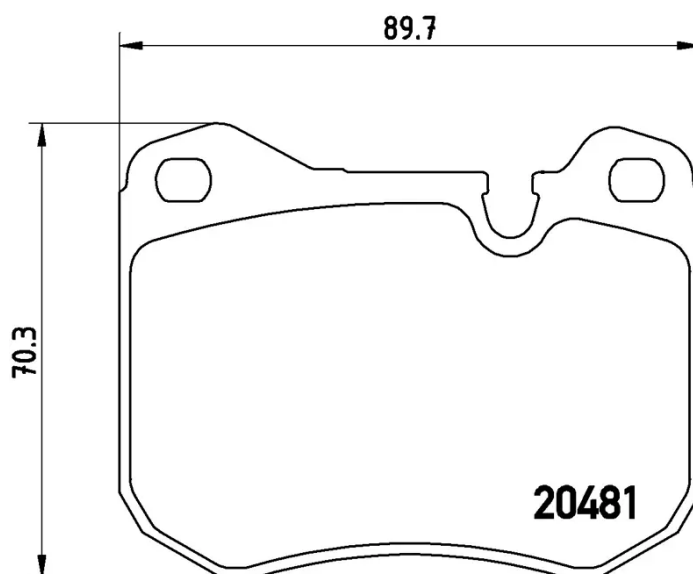
The Brembo brake pad guarantees ultimate safety when braking thanks to the use of more than 100 different compounds, designed according to the type of vehicle and use. Stopping distances reduced to a minimum, maximum driving comfort and silent operation are the most important features of Brembo materials. Brembo brake pads are supplied together with an extensive range of accessories and assembly kits for professional-standard installation.



- ✓ OE-equivalent
- ✓ Brembo quality
- ✓ ECE-R90 certificate
- ✓ Safety
- ✓ Performance
- ✓ Comfort

Technical specifications

EAN code	Axle	Thickness
8020584056578	Front	19 mm
Width	Height	Braking system
90 mm	70 mm	Teves
Wear indicator	WVA number	Accessories
Prepared for wear indicator	20481	With anti-squeal shim



COMPATIBLE VEHICLES

COMPATIBLE OE PART NUMBERS

477698155 PORSCHE

92835194200 PORSCHE

92835195100 PORSCHE

92835195102 PORSCHE

94435194101 PORSCHE

94435195100 PORSCHE

94435195100TPP PORSCHE

94435195101 PORSCHE

94435195102 PORSCHE

94435195103 PORSCHE

94435195104 PORSCHE
