



BRAKE PAD

P 83 154

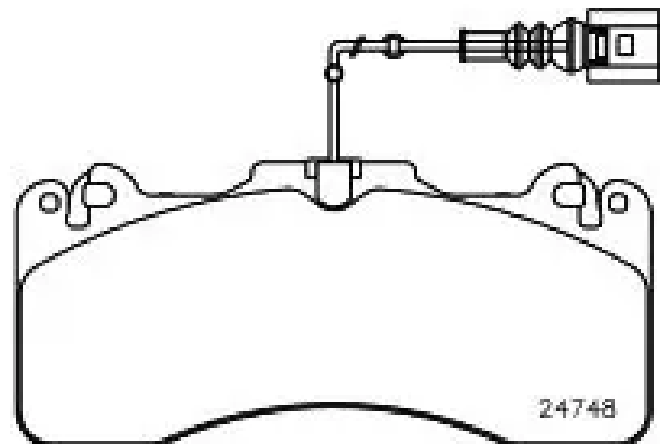
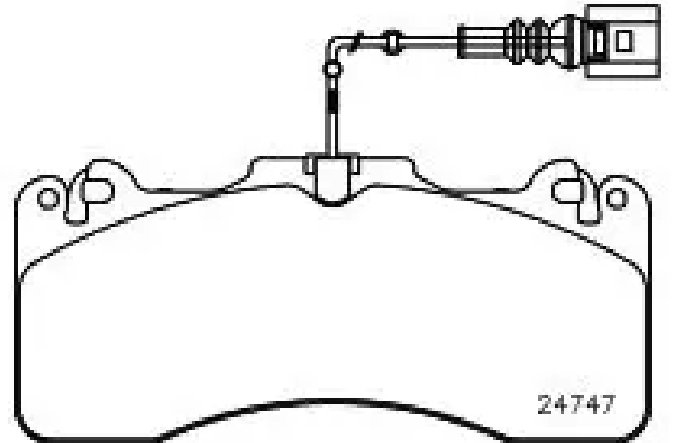
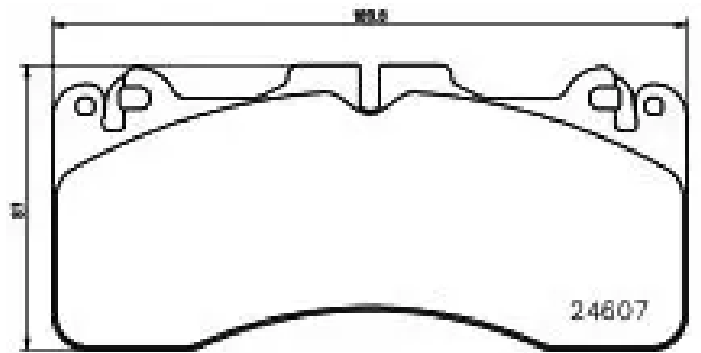
The P 83 154 brake pad is synonymous with reliability

The Brembo brake pad guarantees ultimate safety when braking thanks to the use of more than 100 different compounds, designed according to the type of vehicle and use. Stopping distances reduced to a minimum, maximum driving comfort and silent operation are the most important features of Brembo materials. Brembo brake pads are supplied together with an extensive range of accessories and assembly kits for professional-standard installation.

- ✓ OE-equivalent
- ✓ Brembo quality
- ✓ ECE-R90 certificate
- ✓ Safety
- ✓ Performance
- ✓ Comfort

Technical specifications

EAN code 8020584080191	Axle Front	Thickness 17 mm
Width 190 mm	Height 86 mm	Braking system Brembo
Wear indicator Electric	WVA number 24607,24747,24748	Accessories With anti-squeal shim



COMPATIBLE VEHICLES

COMPATIBLE OE PART NUMBERS

044650W150	LEXUS
044650W151	LEXUS
044650W180	LEXUS
044650W190	LEXUS
044650W191	LEXUS
044650W220	LEXUS
044650W221	LEXUS
044650W222	LEXUS
044650W240	LEXUS
044650W150	TOYOTA