



# BRAKE DISC

## 08.1395.40

The **08.1395.40** brake disc is synonymous with reliability

The Brembo brake disc is fully interchangeable with an Original Equipment brake disc. The control of the entire production cycle allows Brembo to offer brake discs with outstanding performance levels, reliability, durability and comfort in all conditions of use. All Brembo brake discs are accompanied by the ECE-R90 homologation.

- ✓ OE-equivalent
- ✓ Brembo quality
- ✓ ECE-R90 certificate
- ✓ Safety
- ✓ Fastening screws



### Technical specifications



EAN code  
**8020584139547**

Axle  
**Rear**

Diameter  $\varnothing$   
**279 mm**

Thickness (TH)  
**10 mm**

Height (A)  
**70 mm**

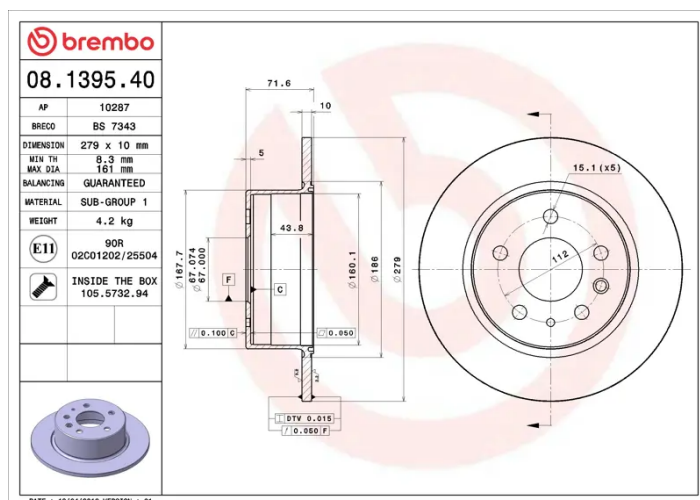
Number of holes (C)  
**5**

Brake disc type  
**Solid**

Centering (B)  
**67 mm**

Min. thickness  
**8,3 mm**

Tightening torque  
**120 Nm**



COMPATIBLE VEHICLES

# COMPATIBLE OE PART NUMBERS

1154200072	MERCEDES-BENZ
1154230212	MERCEDES-BENZ
1154230412	MERCEDES-BENZ
1234230512	MERCEDES-BENZ
1264230012	MERCEDES-BENZ
A1154200072	MERCEDES-BENZ
A1154230212	MERCEDES-BENZ
A1154230412	MERCEDES-BENZ
A1264230012	MERCEDES-BENZ