



BRAKE DISC

08.6857.10

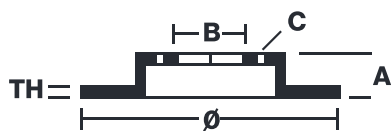
The **08.6857.10** brake disc is synonymous with reliability

The Brembo brake disc is fully interchangeable with an Original Equipment brake disc. The control of the entire production cycle allows Brembo to offer brake discs with outstanding performance levels, reliability, durability and comfort in all conditions of use. All Brembo brake discs are accompanied by the ECE-R90 homologation.

- ✓ OE-equivalent
- ✓ Brembo quality
- ✓ ECE-R90 certificate
- ✓ Safety



Technical specifications



EAN code
8020584685716

Axle
Rear

Diameter Ø
250 mm

Thickness (TH)
9 mm

Height (A)
35 mm

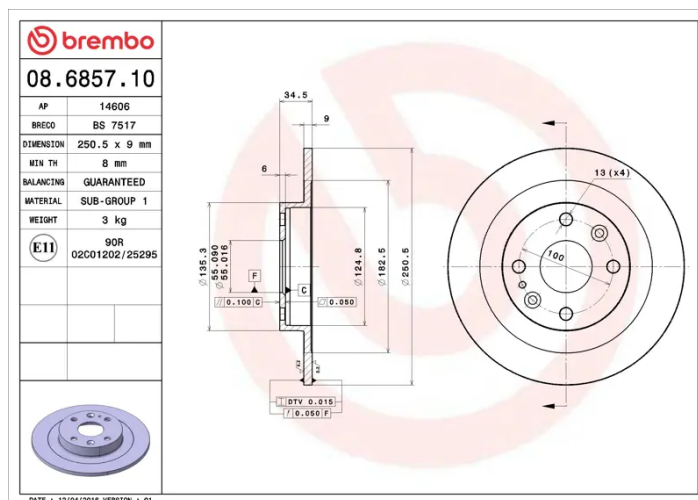
Number of holes (C)
4

Brake disc type
Solid

Centering (B)
55 mm

Min. thickness
8 mm

Tightening torque
103 Nm



COMPATIBLE VEHICLES

COMPATIBLE OE PART NUMBERS

B53026251A FORD ASIA & OCEANIA

F1CZ2C026A FORD USA

F7CZ2C026AB FORD USA

BB4C26251 MAZDA

BB4C26251A MAZDA

BB4C26251B MAZDA

BB4C26251C MAZDA

BB8V26251 MAZDA

BR7426251 MAZDA

BR7426251A MAZDA

BR7426251B MAZDA

BR7426251D MAZDA

BR7426251E MAZDA

E1C72C026A MAZDA

F1ZZ2C026A MAZDA

F7CZ2C026BA MAZDA

G15Y26251 MAZDA

F1CZ2C026B MERCURY
