



BRAKE DISC PAINTED

08.7607.11

The 08.7607.11 painted brake disc is synonymous with reliability

The Brembo brake disc with special UV paint treatment guarantees superior corrosion resistance for the product, thanks to the protective coating on the outer edges and on the disc hub. The UV paint not only gives the disc a clean, shiny appearance but is also beneficial for the environment as the water-based UV paint treatment does not require the use of chemical solvents and is a low energy consumption process.

- ✓ OE-equivalent
- ✓ Brembo quality
- ✓ ECE-R90 certificate
- ✓ Safety
- ✓ High carbon
- ✓ Anti-corrosion

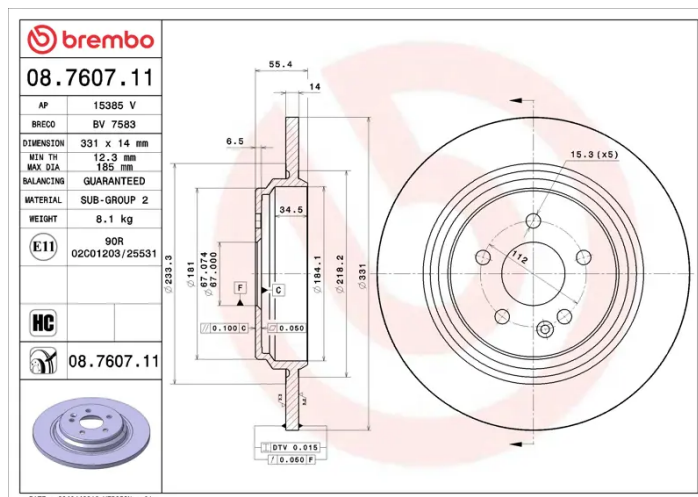


Technical specifications



EAN code 8020584012000	Axle Rear	Diameter Ø 331 mm
Thickness (TH) 14 mm	Height (A) 55 mm	Number of holes (C) 5
Brake disc type Solid	Centering (B) 67 mm	Min. thickness 12,3 mm

Tightening torque
150 Nm



COMPATIBLE VEHICLES

COMPATIBLE OE PART NUMBERS

1634230012	MERCEDES-BENZ
------------	---------------

1634230212	MERCEDES-BENZ
------------	---------------

A1634230012	MERCEDES-BENZ
-------------	---------------

A1634230212	MERCEDES-BENZ
-------------	---------------
