



BRAKE DISC

08.A446.10

The **08.A446.10** brake disc is synonymous with reliability

The Brembo brake disc is fully interchangeable with an Original Equipment brake disc. The control of the entire production cycle allows Brembo to offer brake discs with outstanding performance levels, reliability, durability and comfort in all conditions of use. All Brembo brake discs are accompanied by the ECE-R90 homologation.

- ✓ OE-equivalent
- ✓ Brembo quality
- ✓ ECE-R90 certificate
- ✓ Safety



Technical specifications



EAN code
8020584017906

Axle
Rear

Diameter Ø
284 mm

Thickness (TH)
10 mm

Height (A)
61 mm

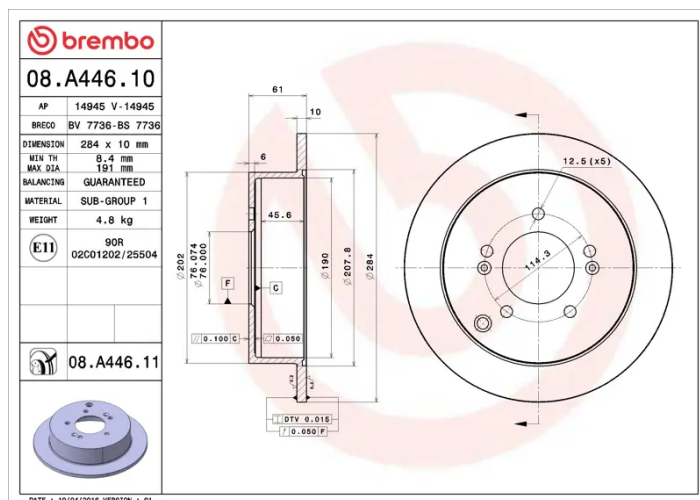
Number of holes (C)
5

Brake disc type
Solid

Centering (B)
76 mm

Min. thickness
8,4 mm

Tightening torque
100 Nm



COMPATIBLE VEHICLES

COMPATIBLE OE PART NUMBERS

584112Y300	HYUNDAI
584113A300	HYUNDAI
5584113A300	HYUNDAI
5584113A300A	HYUNDAI
584113A300	HYUNDAI (BEIJING)
584112Y300	KIA
584113A300	KIA
5584113A300	KIA
5584113A300A	KIA
584113A300	KIA (DYK)