



BRAKE DISC PAINTED

08.N258.41

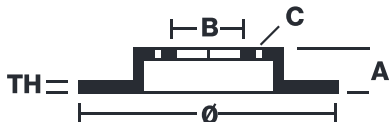
The 08.N258.41 painted brake disc is synonymous with reliability

The Brembo brake disc with special UV paint treatment guarantees superior corrosion resistance for the product, thanks to the protective coating on the outer edges and on the disc hub. The UV paint not only gives the disc a clean, shiny appearance but is also beneficial for the environment as the water-based UV paint treatment does not require the use of chemical solvents and is a low energy consumption process.

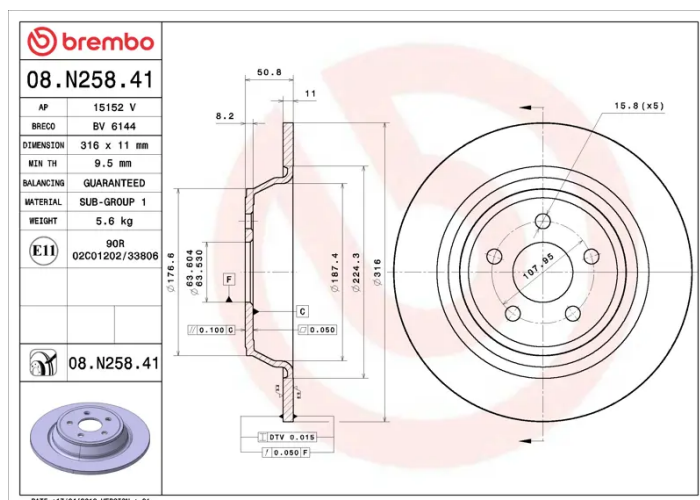
- ✓ OE-equivalent
- ✓ Brembo quality
- ✓ ECE-R90 certificate
- ✓ Safety
- ✓ Anti-corrosion



Technical specifications



EAN code 8020584229613	Axle Rear	Diameter Ø 316 mm
Thickness (TH) 11 mm	Height (A) 51 mm	Number of holes (C) 5
Brake disc type Solid	Centering (B) 64 mm	Min. thickness 9,5 mm



COMPATIBLE VEHICLES

COMPATIBLE OE PART NUMBERS

2019881	FORD
---------	------

5310798	FORD
---------	------

E1GC2A315C4A	FORD
--------------	------

E1GC2A315C4B	FORD
--------------	------

E1GC2A315CB	FORD
-------------	------

E1GC2A315CC	FORD
-------------	------

E1GZ2C026C	FORD
------------	------

E1GZ2C026E	FORD
------------	------

KS7Z2C026A	FORD
------------	------

E1GC2A315C4B	FORD (CHANGAN)
--------------	----------------

E1GZ2C026C	FORD (CHANGAN)
------------	----------------

E1GZ2C026E	FORD (CHANGAN)
------------	----------------

G2MJ2C026CGA	FORD (CHANGAN)
--------------	----------------

2019881	FORD USA
---------	----------

5310798	FORD USA
---------	----------

E1GC2A315CB	FORD USA
-------------	----------

E1GC2A315CC	FORD USA
-------------	----------

BRRF251	LINCOLN
---------	---------

BRRF317	LINCOLN
---------	---------

E1GZ2C026C	LINCOLN
------------	---------

E1GZ2C026E	LINCOLN
------------	---------