



BRAKE DISC

09.9172.14

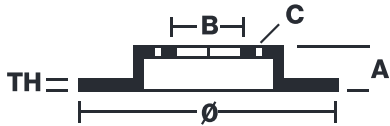
The **09.9172.14** brake disc is synonymous with reliability

The Brembo brake disc is fully interchangeable with an Original Equipment brake disc. The control of the entire production cycle allows Brembo to offer brake discs with outstanding performance levels, reliability, durability and comfort in all conditions of use. All Brembo brake discs are accompanied by the ECE-R90 homologation.

- ✓ OE-equivalent
- ✓ Brembo quality
- ✓ ECE-R90 certificate
- ✓ Safety
- ✓ High carbon
- ✓ Fastening screws



Technical specifications



EAN code
8020584013366

Axle
Front

Diameter Ø
324 mm

Thickness (TH)
30 mm

Height (A)
77 mm

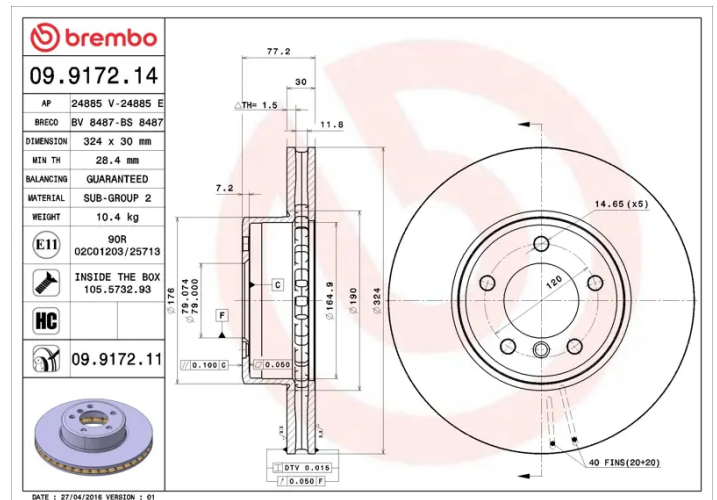
Number of holes (C)
5

Brake disc type
Ventilated

Centering (B)
79 mm

Min. thickness
28,4 mm

Tightening torque
120 Nm



COMPATIBLE VEHICLES

COMPATIBLE OE PART NUMBERS

34116753221	BMW
34116767269	BMW
34116778964	BMW
34116864905	BMW
34116864906	BMW
34116753221	BMW (BRILLIANCE)
34116864906	BMW (BRILLIANCE)