



# BRAKE DISC

## 09.A529.10

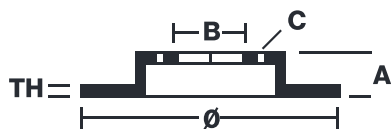
The **09.A529.10** brake disc is synonymous with reliability

The Brembo brake disc is fully interchangeable with an Original Equipment brake disc. The control of the entire production cycle allows Brembo to offer brake discs with outstanding performance levels, reliability, durability and comfort in all conditions of use. All Brembo brake discs are accompanied by the ECE-R90 homologation.

- ✓ OE-equivalent
- ✓ Brembo quality
- ✓ ECE-R90 certificate
- ✓ Safety
- ✓ PVT ventilation



### Technical specifications



EAN code  
**8020584033616**

Axle  
**Front**

Diameter Ø  
**280 mm**

Thickness (TH)  
**28 mm**

Height (A)  
**54 mm**

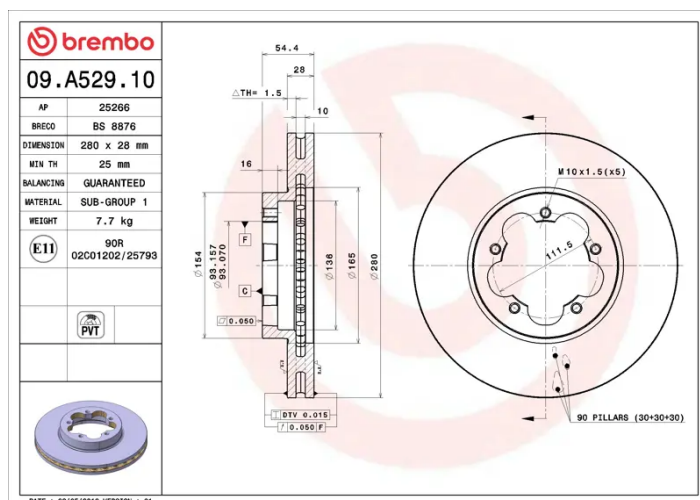
Number of holes (C)  
**5**

Brake disc type  
**Ventilated**

Centering (B)  
**93 mm**

Min. thickness  
**25 mm**

Tightening torque  
**100 Nm**



COMPATIBLE VEHICLES

## COMPATIBLE OE PART NUMBERS

1371394 FORD

---

1503290 FORD

---

1547061 FORD

---

2256311 FORD

---

6C111125B1B FORD

---

6C111125BA FORD

---

6C111125BB FORD

---

ME6C1J1125BB FORD

---