



BRAKE DISC

09.A968.14

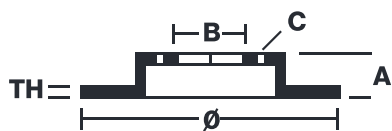
The **09.A968.14** brake disc is synonymous with reliability

The Brembo brake disc is fully interchangeable with an Original Equipment brake disc. The control of the entire production cycle allows Brembo to offer brake discs with outstanding performance levels, reliability, durability and comfort in all conditions of use. All Brembo brake discs are accompanied by the ECE-R90 homologation.

- ✓ OE-equivalent
- ✓ Brembo quality
- ✓ ECE-R90 certificate
- ✓ Safety



Technical specifications



EAN code
8020584020500

Axle
Front

Diameter Ø
258 mm

Thickness (TH)
23 mm

Height (A)
44 mm

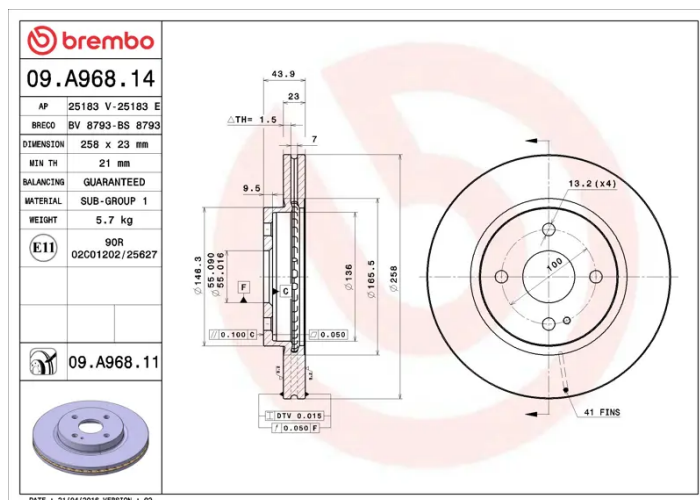
Number of holes (C)
4

Brake disc type
Ventilated

Centering (B)
55 mm

Min. thickness
21 mm

Tightening torque
103 Nm



COMPATIBLE VEHICLES

COMPATIBLE OE PART NUMBERS

DN2033251	FORD
DG8033251A	FORD (CHANGAN)
DK4133251	FORD (CHANGAN)
DN2033251	FORD ASIA & OCEANIA
DN2033251	FORD USA
DF7133251	MAZDA
DF7133251A	MAZDA
DN2033251	MAZDA
DG8033251	MAZDA (CHANGAN)
DG8033251A	MAZDA (CHANGAN)