



# DRUM

## 14.E966.10

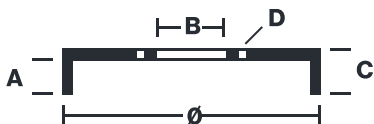
The 14.E966.10 drum is synonymous with reliability

Brembo has developed several design solutions for drum brakes which combine multiple materials to reduce the overall weight. The most popular range of lamellar graphite cast iron drums is supplemented by cast iron drums with a steel sprocket flange and aluminium drums, whereby only the inner part of the drum on which the shoes operate are made of lamellar cast iron, namely the brake band. Additionally drums with built-in bearing kit and hub are added to this range.



- ✓ OE-equivalent
- ✓ Brembo quality
- ✓ Safety
- ✓ Durability

### Technical specifications



EAN code  
8020584324783

Axle  
Rear

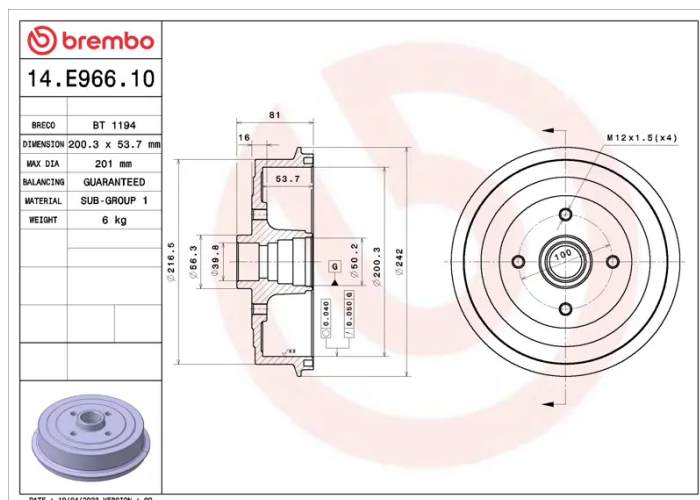
Diameter  
200,3 mm

Width  
53,7 mm

Height  
81

Number of holes  
4

Max diameter  
201 mm



COMPATIBLE VEHICLES

### COMPATIBLE OE PART NUMBERS

96193771	CHEVROLET
96193771	DAEWOO
96193876	DAEWOO